

TTK 120 E / TTK 122 E

EN

OPERATING MANUAL
DEHUMIDIFIER



Table of contents

Notes regarding the operating manual..... 2

Safety 2

Information about the device..... 5

Transport and storage..... 6

Assembly and installation..... 7

Operation 8

Errors and faults..... 11

Maintenance 13

Technical annex..... 17

Disposal 20

You can download the current version of the operating manual and the EU declaration of conformity via the following link:



TTK 120 E



<https://hub.trotec.com/?id=42894>

TTK 122 E



<https://hub.trotec.com/?id=42895>

Notes regarding the operating manual

Symbols



Danger

This symbol indicates dangers to the life and health of persons due to extremely flammable gas.



Warning of electrical voltage

This symbol indicates dangers to the life and health of persons due to electrical voltage.



Warning

This signal word indicates a hazard with an average risk level which, if not avoided, can result in serious injury or death.



Caution

This signal word indicates a hazard with a low risk level which, if not avoided, can result in minor or moderate injury.

Note

This signal word indicates important information (e.g. material damage), but does not indicate hazards.



Info

Information marked with this symbol helps you to carry out your tasks quickly and safely.



Follow the manual

Information marked with this symbol indicates that the operating manual must be observed.

Safety

Read this manual carefully before starting or using the device. Always store the manual in the immediate vicinity of the device or its site of use.



Warning

Read all safety warnings and all instructions.

Failure to follow the warnings and instructions may result in electric shock, fire and/or serious injury.

Save all warnings and instructions for future reference.

This appliance can be used by children aged from 8 years and above and persons with reduced physical, sensory or mental capabilities or lack of experience and knowledge if they have been given supervision or instruction concerning use of the appliance in a safe way and understand the hazards involved.

Children shall not play with the appliance. Cleaning and user maintenance shall not be made by children without supervision.

- Do not use the device in potentially explosive rooms or areas and do not install it there.
- Do not use the device in aggressive atmosphere.
- Only put up the device in an upright, stable position on firm ground.
- Let the device dry out after a wet clean. Do not operate it when wet.
- Do not use the device with wet or damp hands.
- Do not expose the device to directly squirting water.
- Never insert any objects or limbs into the device.
- Do not cover the device during operation.

- Do not sit on the device.
- This appliance is not a toy. Keep away from children and animals. Do not leave the device unattended during operation.
- Check accessories and connection parts for possible damage prior to every use of the device. Do not use any defective devices or device parts.
- Ensure that all electric cables outside of the device are protected from damage (e.g. caused by animals). Never use the device if electric cables or the power connection are damaged!
- The mains connection must correspond to the specifications in the Technical annex.
- Insert the mains plug into a properly fused mains socket.
- Observe the device's power input, cable length and intended use when selecting extensions to the power cable. Completely unroll extension cables. Avoid electrical overload.
- Before carrying out maintenance, care or repair work on the device, remove the mains plug from the mains socket. Hold onto the mains plug while doing so.
- Switch the device off and disconnect the power cable from the mains socket when the device is not in use.
- Do not under any circumstances use the device if you detect damages on the mains plug or power cable. If the power cable is damaged, it must be replaced by the manufacturer, its service agent or similarly qualified persons in order to avoid a hazard. Defective power cables pose a serious health risk!
- When positioning the device, observe the minimum distances from walls and other objects as well as the storage and operating conditions specified in the Technical annex.
- Make sure that the air inlet and outlet are not obstructed.
- Make sure that the suction side is kept free of dirt and loose objects.
- Do not remove any safety signs, stickers or labels from the device. Keep all safety signs, stickers and labels in legible condition.
- Only transport the device in an upright position with an emptied condensation tank or drain hose.
- Discharge the collected condensate before transport and storage. Do not drink it. Health hazard!



Safety warnings for devices containing flammable refrigerants

- Only position the device in rooms where potentially leaking refrigerant cannot accumulate.
- Only position the device in rooms where there is no source of ignition (e.g. open flames, an active gas appliance or an electric heater).
- Please note that the refrigerant is odourless.
- Only install the device in compliance with the national installation regulations.
- Observe the national gas regulations.
- Only install, operate and store the device TTK 120 E / TTK 122 E in a room measuring more than 4 m².
- Store the device in a way that no mechanical damage can occur.
- Please note that the connected pipelines must not contain any sources of ignition.
- R290 is a refrigerant that complies with European environmental regulations. No part of the cooling circuit may be perforated.
- Observe the maximum refrigerant capacity in the technical data.
- Do not drill through or burn.
- Do not use any means other than those recommended by the manufacturer for accelerating the defrosting process.
- Every person working with or at the refrigerant circuit must be able to provide a certificate of qualification issued by a body accredited by the industry, demonstrating their competence in the safe use of refrigerants based on a procedure well-known in the industry.
- Service work may only be carried out in accordance with the manufacturer's specifications. If maintenance and repair work require the support of additional persons, the person trained in handling flammable refrigerants shall continuously supervise the work carried out.
- Unventilated rooms, in which the device is installed, operated or stored, must be built in a way to ensure that potentially leaking refrigerant cannot accumulate. This serves to avoid fire or explosion hazards resulting from an ignition of the refrigerant by an electric furnace, cooking stove or another ignition source.
- The entire refrigerant circuit is a maintenance-free, hermetically sealed system and may only be maintained or repaired by specialist companies for cooling and air-conditioning or by Trotec.

Intended use

Only use the device for drying and dehumidifying room air, while adhering to and following the technical data.

In addition, the device may also be used as a kind of clothes dryer to dry wet laundry.

Intended use comprises:

- dehumidifying and drying:
 - living rooms, bedrooms, bathrooms and basements
 - laundries, holiday homes, camper vans, boats
- maintaining the dryness of:
 - storage spaces, archives, laboratories, garages
 - bathrooms, wash rooms, changing rooms etc.

Foreseeable misuse

The device is not intended for industrial use.

- Do not place the device on wet or flooded ground.
- Do not place any objects, e.g. clothing, on the device.
- Do not use the device out of doors.
- Do not make any unauthorised modifications, alterations or structural changes to the device.
- Any use other than the intended use is regarded as a reasonably foreseeable misuse.

Personnel qualifications

People who use this device must:

- be aware of the dangers that occur when working with electric devices in damp areas.
- have read and understood the operating manual, especially the Safety chapter.

Maintenance tasks which require the housing to be opened must only be carried out by specialist companies for cooling and air-conditioning or by Trotec.

Safety signs and labels on the device

Note

Do not remove any safety signs, stickers or labels from the device. Keep all safety signs, stickers and labels in legible condition.

The following safety signs and labels are attached to the device:

TTK 120 E / TTK 122 E

WARNING • WARNUNG • ATTENTION

DE Das Gerät muss in einem Raum mit einer Grundfläche größer als 4 m² aufgestellt, betrieben und gelagert werden.

EN Appliance shall be installed, operated and stored in a room with floor area larger than 4 m².

FR L'appareil doit être installé, utilisé et entreposé dans une pièce avec une surface supérieure à 4 m².



Follow the manual

This symbol indicates that the operating manual must be observed.



Follow the repair manual

Disposal, maintenance and repair work of the refrigerant circuit may only be carried out in accordance with the manufacturer's specifications and by persons having a certificate of qualification. A corresponding repair manual is available from the manufacturer upon request.

Residual risks



Danger

Natural refrigerant propane (R290)!

H220 – Extremely flammable gas.

H280 – Contains gas under pressure; may explode if heated.

P210 – Keep away from heat, sparks, open flames and other ignition sources. No smoking.

P377 – Leaking gas fire: Do not extinguish, unless leak can be stopped safely.

P410+P403 – Protect from sunlight. Store in a well-ventilated place.



Warning of electrical voltage

Work on the electrical components must only be carried out by an authorised specialist company!



Warning of electrical voltage

Before any work on the device, remove the mains plug from the mains socket!

Do not touch the mains plug with wet or damp hands.

Hold onto the mains plug while pulling the power cable out of the mains socket.



Warning

Dangers can occur at the device when it is used by untrained people in an unprofessional or improper way! Observe the personnel qualifications!



Warning

The device is not a toy and does not belong in the hands of children.



Warning

Risk of suffocation!

Do not leave the packaging lying around. Children may use it as a dangerous toy.

Note

Do not operate the device without an air filter inserted into the air inlet!

Without the air filter, the inside of the device will be heavily contaminated. This could reduce the performance and result in damage to the device.

Behaviour in the event of an emergency

1. Switch the device off.
2. In an emergency, disconnect the device from the mains feed-in: Hold onto the mains plug while pulling the power cable out of the mains socket.
3. Do not reconnect a defective device to the mains.

Information about the device

Device description

The device uses the principle of condensation to automatically dehumidify rooms.

The fan sucks damp room air through the air inlet, the air filter, the evaporator and to the condenser located behind it. The air is cooled at the cold evaporator until it is below the dew point. Water vapour contained in the room air precipitates on the evaporator fins as condensation or rime. The dehumidified, cooled air is slightly warmed at the condenser and blown out again. The drier air thus conditioned mixes with the air in the room. The humidity in the room where the device is positioned is reduced as air constantly circulates through the device.

Depending on the air temperature and the relative humidity, the condensed water either drops continuously or only during the defrost phase through the integrated drain nozzle into the condensation tank below. It is fitted with a float to measure the filling level.

The device has a control panel for operating and controlling the functions.

Once the maximum filling level of the condensation tank is reached or in case the condensation tank is not installed correctly, the condensation tank indicator light (see chapter Operation) on the control panel is illuminated. The device switches off. The condensation tank indicator light only goes out again once the emptied condensation tank is reinserted.

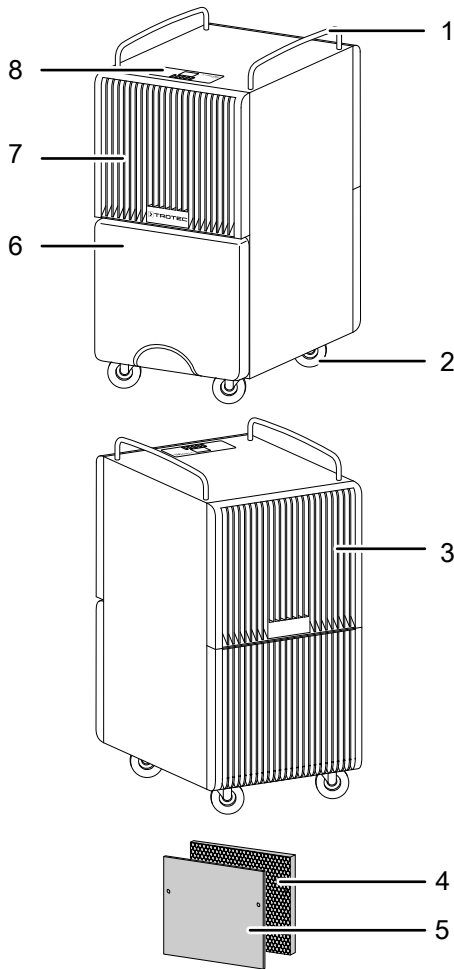
Optionally, the condensed water can be drained by attaching a hose at the condensation connection.

The device can reduce the relative humidity of a room to approx. 30 %.

In addition, the device may also be used as a kind of clothes dryer to dry wet laundry in living or working spaces.

Because of the heat radiation generated during operation, the room temperature may rise slightly.

Device depiction



No.	Designation
1	Handle
2	Wheel
3	Air outlet
4	Activated carbon filter
5	Air filter
6	Condensation tank
7	Air inlet with air filter
8	Control panel

Transport and storage

Note

If you store or transport the device improperly, the device may be damaged.
 Note the information regarding transport and storage of the device.

Transport

Please note that additional transport regulations might apply to devices containing flammable refrigerants. The equipment's arrangement and the maximum number of components to be transported together can be gathered from the applicable transport regulations.

To make the device easier to transport, it is fitted with a carry handle.

To make the device easier to transport, it is fitted with wheels.

Before transporting the device, observe the following:

- Switch the device off.
- Hold onto the mains plug while pulling the power cable out of the mains socket.
- Drain the remaining condensate from the device and the condensation drain hose (see chapter Maintenance).
- Do not use the power cable to drag the device.
- Only wheel the device on a level and smooth surface.

After transporting the device, proceed as follows:

- Set up the device in an upright position after transport.
- Leave the device to rest for 12 to 24 hours, so the refrigerant can accumulate within the compressor. Wait 12 to 24 hours before switching the device back on! Acting contrary might lead to compressor damage and a malfunctioning device. If so, any warranty claims will be voided.

Storage

Before storing the device, observe the following:

- Drain the remaining condensate from the device and the condensation drain hose (see chapter Maintenance).
- Hold onto the mains plug while pulling the power cable out of the mains socket.

When the device is not being used, observe the following storage conditions:

- Only store the device in a room measuring more than 4 m².
- dry and protected from frost and heat
- in an upright position where it is protected from dust and direct sunlight
- with a cover to protect it from invasive dust, if necessary
- Place no further devices or objects on top of the device to prevent it from being damaged.

Assembly and installation

Scope of delivery

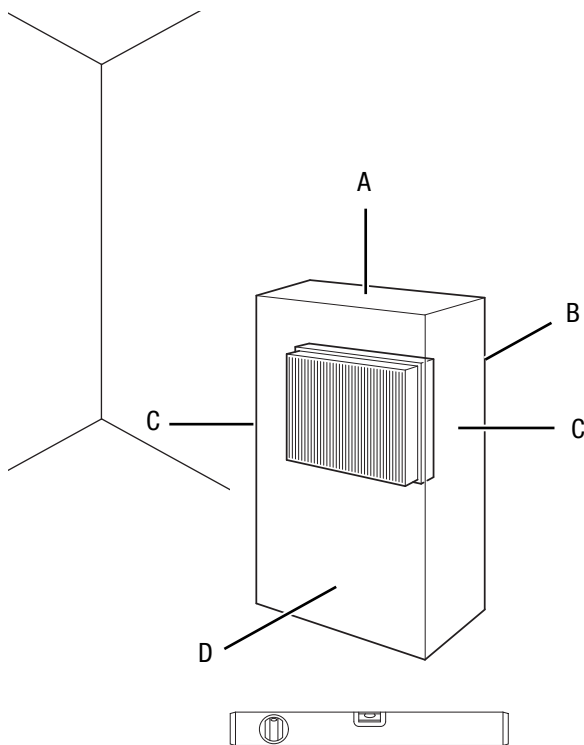
- 1 x Device
- 1 x Air filter
- 1 x Activated carbon filter
- 1 x Condensation drain hose, diameter: 16 mm
- 1 x Manual

Unpacking the device

1. Open the cardboard box and take the device out.
2. Completely remove the packaging.
3. Fully unwind the power cable. Make sure that the power cable is not damaged and that you do not damage it during unwinding.

Start-up

When positioning the device, observe the minimum distance from walls or other objects as described in the chapter Technical annex.



- Before restarting the device, check the condition of the power cable. If there are doubts as to the sound condition, contact the customer service.
- Only position the device in rooms where potentially leaking refrigerant cannot accumulate.
- Only position the device in rooms where there is no source of ignition (e.g. open flames, an active gas appliance or an electric heater).

- Only put up the device in an upright, stable position on firm ground.
- Do not create tripping hazards when laying the power cable or other electric cables, especially when positioning the device in the middle of the room. Use cable bridges.
- Make sure that extension cables are completely unrolled.
- When positioning the device, keep a sufficient distance to heat sources.
- Make sure that no curtains or other objects interfere with the air flow.
- When positioning the device, particularly in wet areas, secure it locally with an RCD (residual current device) which complies with the respective regulations.

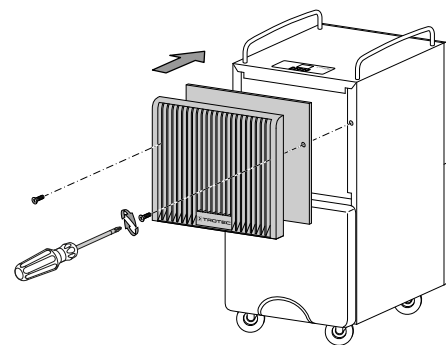
Inserting the air filter

Note

Do not operate the device without an air filter inserted into the air inlet!

Without the air filter, the inside of the device will be heavily contaminated. This could reduce the performance and result in damage to the device.

- Make sure that the air filter is installed before switching the device on.



Inserting the condensation tank

- Ensure that the float inside the condensation tank is inserted correctly.
- Ensure that the condensation tank is empty and inserted correctly.

Connecting the power cable

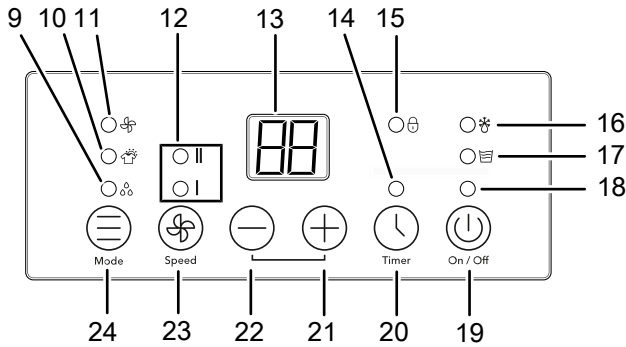
- Insert the mains plug into a properly secured mains socket.

Operation

Notes:

- Avoid open doors and windows.
- After being switched on, the device operates fully automatically.
- The fan permanently runs in dehumidification mode even after the set nominal value has been reached until the device is switched off.

Operating elements



No.	Designation	Meaning
9	<i>Dehumidification</i> LED	Is illuminated when dehumidification mode is activated.
10	<i>Laundry drying</i> LED	Is illuminated when laundry drying mode is activated.
11	<i>Ventilation</i> LED	Is illuminated when ventilation mode is activated.
12	<i>Speed</i> LEDs	II = Fan stage 2 I = Fan stage 1
13	Control panel	Indicates the current room temperature, the relative room humidity level and the number of hours of the timer
14	<i>Timer</i> LED	Is illuminated when the timer is activated.
15	<i>Locking function</i> LED	Is illuminated when the control panel is disabled.
16	<i>Automatic defrost</i> LED	Illuminated when automatic defrost is carried out.
17	<i>Condensation tank full</i> LED	Illuminated in red when the condensation tank is full.
18	<i>On/Off</i> LED	Illuminated when the device is switched on
19	<i>On/Off</i> button	Switching the device on or off
20	<i>Timer</i> button	Switching the timer function on and off: 1 h to 24 h
21	<i>Plus</i> button	Increases the value for the desired room humidity level (adjustable from 30 % – 90 %) by 5 %.

No.	Designation	Meaning
22	<i>Minus</i> button	Decreases the value for the desired room humidity level (adjustable from 30 % – 90 %) by 5 %.
23	<i>Speed</i> button	Increase or decrease fan speed
24	<i>Mode</i> button	Changing the operating mode

Switching the device on

Once you have completely installed the device as described in the chapter Assembly and start-up, you can switch it on.

1. Press the *On/Off* button (19).
⇒ The *On/Off* LED (18) is illuminated.
⇒ The device starts to dehumidify.

Setting the operating mode

- Dehumidification
- Continuous operation
- Drying laundry
- Ventilation

dehumidification

The device keeps running until reaching the desired relative room humidity. Then the compressor switches off and the fan keeps running. Once the desired relative room humidity is exceeded, the compressor switches back on.

The desired relative room humidity can be set at any time within a setting range of 30 % to 90 %.

You can choose between low and high fan speed (laundry drying function).

Please proceed as follows to activate the dehumidification mode:

1. Press the *Mode* button (24) until the *dehumidification* LED (9) is illuminated.
2. Press the *Speed* button (23) to set the desired fan stage.
⇒ If the fan speed is set to a low level, the *Speed* LED (12) of stage 1 is illuminated.
⇒ If the fan speed is set to a high level, the *Speed* LED (12) of stage 2 is illuminated.

Setting the desired relative room humidity

1. Use the plus (21) or minus (22) buttons to select the desired relative humidity value. Setting is possible in the range between 30 % and 90 %.
⇒ The desired relative room humidity is shown on the control panel (13) for approx. 5 seconds. Then the current relative room humidity is displayed again.

Continuous operation

Please proceed as follows to set continuous operation:

- ✓ The dehumidification mode is activated.
- 1. Press the plus button (21) and set the relative humidity level to above 90 %.
 - ⇒ "Co" is indicated on the control panel.
 - ⇒ Continuous operation is activated.
- 2. If you press the minus button (22) and set the relative humidity level to below 90 %, continuous operation is deactivated.
 - ⇒ The device switches to dehumidification mode.



Info

For continuous operation a condensation drain hose can be connected in order to continuously drain the accumulating condensate.

Laundry drying function

This special function improves the clothes drying process by continuous operation of the dehumidifier at full capacity.

Please proceed as follows to adjust the laundry drying function:

1. Press the *Mode* button (24) until the *laundry drying* LED (10) is illuminated.
 - ⇒ The device dehumidifies the air constantly and regardless of the room humidity.
 - ⇒ The room humidity and the fan speed cannot be set in this operating mode.

Ventilation

Using this function you can change between a low and a high fan speed.

1. Press the *Mode* button (24) until the ventilation LED (11) is illuminated.
2. Press the *Speed* button (23) to set the desired fan stage.
 - ⇒ If the fan speed is set to a low level, the *Speed* LED (12) of stage 1 is illuminated.
 - ⇒ If the fan speed is set to a high level, the *Speed* LED (12) of stage 2 is illuminated.

Setting the timer

Note

The device must not be left unattended in a freely accessible room with an activated timer.

The timer has two modes of operation:

- Automatic switch-on upon expiry of a preset number of hours
- Automatic switch-off upon expiry of a preset number of hours

The function can be set in addition in all operating modes. The number of hours can be set in hourly increments (1 h to max. 24 h).

Automatic switch-on

- ✓ The device is now in standby mode.
- 1. Repeatedly press the *timer* button (20) until the desired number of hours is displayed.
 - ⇒ The set number of hours appears on the control panel indicates the remaining (13).
 - ⇒ After the predefined time, the device switches itself on.

Notes regarding automatic switch-on:

- Manually switching the device on disables the automatic switch-on function.
- If you select 00 hours, the timer will be off.

Automatic switch-off

- ✓ The device is switched on.
- 1. Repeatedly press the *timer* button (20) until the desired number of hours is displayed.
 - ⇒ The set number of hours appears on the control panel indicates the remaining (13).
 - ⇒ The device switches off after the predefined time.

Notes regarding automatic switch-off:

- Manually switching the device off disables the automatic switch-off function.
- If you select 00 hours, the timer will be off.

Auto stop function

If the condensation tank is full, not inserted correctly or the desired relative room humidity has been reached, the device will stop automatically. The *Condensation tank full* LED (17) is illuminated. In addition, the device emits an acoustic signal several times.

Memory function

After a power failure during operation the device will automatically be switched back on.

The previous settings are saved except for the timer.

Locking function

Please proceed as follows to activate the locking function:

1. Press the *Mode* button (24) for 5 seconds.
 - ⇒ The locking function is activated.
2. Press the *Mode* button (24) for 5 seconds again to disable the child lock.
 - ⇒ Now all buttons can be actuated as usual.

Indication of the room temperature

Proceed as follows to display the room temperature:

1. Simultaneously press the *plus* (21) and *minus* (22) buttons.
 - ⇒ The current room temperature will be indicated on the control panel (13).

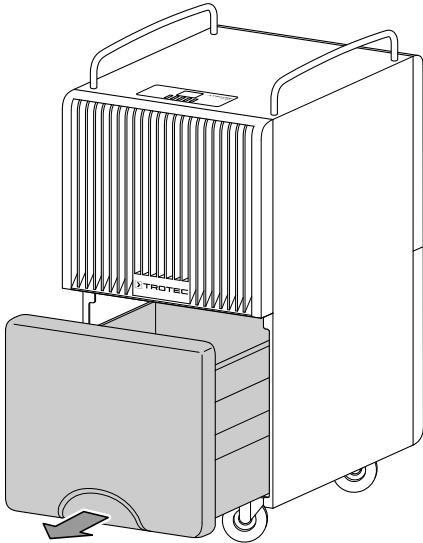
Operation with hose attached to the condensation connection

For continuous operation or unattended dehumidification, please connect a suitable condensation drain hose to the device.

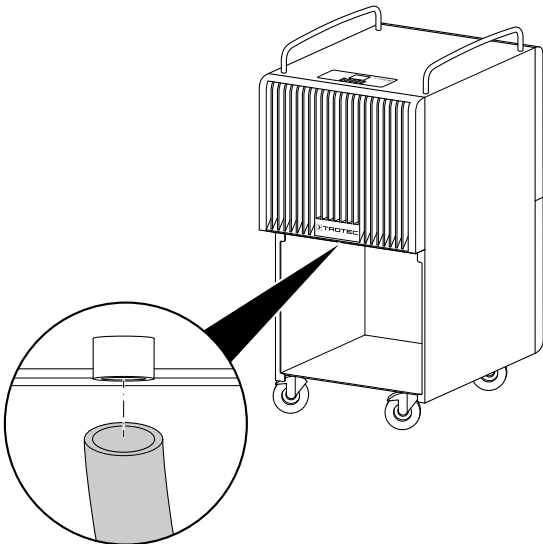
✓ The supplied hose (diameter = 16 mm) and the metal clamp are ready for use.

✓ The device is switched off.

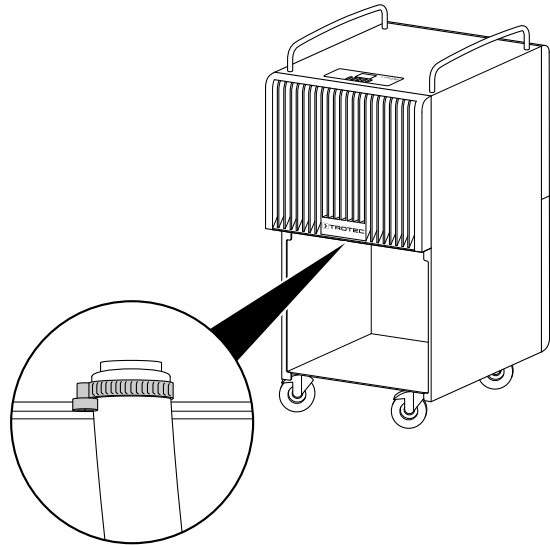
1. Remove the condensation tank.
 - ⇒ Make sure not to damage the float when removing the condensation tank.



2. Push one end of the hose onto the hose connection.

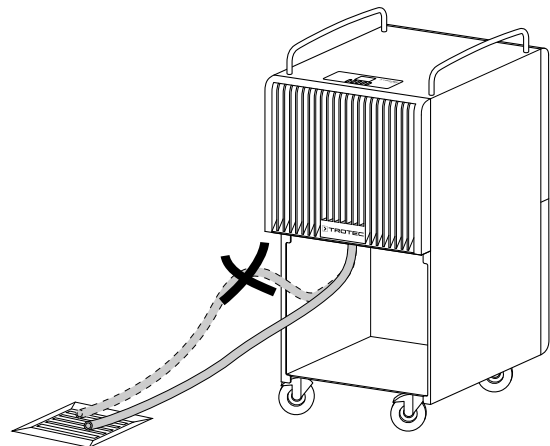


3. Secure the end of the hose with a metal clamp.



4. Guide the other hose end to a suitable drain or sufficiently dimensioned collection container. Please note that the hose must not be kinked.

⇒ The device can now be switched on.



Automatic defrost by means of hot gas feed

At low ambient temperatures, ice may form at the evaporator during dehumidification. The device then carries out an automatic defrost by means of the hot gas feed. Here, a hot cooling agent is led into the iced evaporator for its surfaces to defrost.

The hot gas automatic defrost system integrated in the device automatically switches on the defrost cycle at regular intervals. The *automatic defrost* LED (16) is illuminated throughout the defrost process.

The duration of the defrost process can vary. Do not switch off the device during automatic defrost. Do not remove the mains plug from the mains socket.

Drying laundry

In addition, the device may also be used as a kind of clothes dryer to dry wet laundry in living or working spaces.

When positioning the device or a clothes horse, please observe the minimum distances specified in the technical data.

For drying laundry the following values should be selected:

- cupboard dry = 46 % relative humidity
- iron dry = 58 % relative humidity
- slightly dried = 65 % relative humidity

If necessary, use a measuring device to determine the humidity level.

Shutdown



Warning of electrical voltage

Do not touch the mains plug with wet or damp hands.

- Switch off the device.
- Hold onto the mains plug while pulling the power cable out of the mains socket.
- If necessary, remove the condensation drain hose and any residual fluid from it.
- Empty the condensation tank, if need be.
- Clean the device according to the Maintenance chapter.
- Store the device according to the Transport and storage chapter.

Errors and faults

The device has been checked for proper functioning several times during production. If malfunctions occur nonetheless, check the device according to the following list.

The device does not start:

- Check the power connection.
- Check the power cable and mains plug for damage.
- Check the on-site fusing.
- Check the filling level of the condensation tank and empty it if necessary. The *condensation tank full* LED (17) must not be illuminated on the control panel.
- Check the condensation tank for correct seating.
- Check the room temperature. Observe the device's permissible operating range according to the technical data.
- Wait for 10 minutes before restarting the device. If the device is not starting, have the electricians checked by a specialist company or by Trotec.

The device is running, but there is no formation of condensate:

- Check the float in the condensation tank for dirt. If necessary, clean the condensation tank. The float must be able to move freely.

- Ensure that the relative room humidity complies with the technical data.
- Check the preselected relative room humidity. The humidity in the room must be above the selected range.
- Check the air filter for dirt. If necessary, clean or replace the air filter.
- From the outside, check the condenser for dirt (see chapter Maintenance). If the condenser is dirty, have it cleaned by a specialist company or by Trotec.
- The device might carry out an automatic defrost. During automatic defrost, the device does not dehumidify.

The device is loud or vibrates:

- Check whether the device is set up in a stable and upright position.

Condensate is leaking:

- Check the device for leaks.

The compressor does not start:

- Check the room temperature. Observe the device's permissible operating range according to the technical data.
- Ensure that the relative room humidity complies with the technical data.
- Check the preselected relative room humidity. The humidity in the room must be above the selected range.
- Check whether the overheating protection of the compressor has tripped. Disconnect the device from the mains and let it cool down for approx. 10 minutes before reconnecting it.
- The device might carry out an automatic defrost. During automatic defrost, the device does not dehumidify.

The device gets very warm, is loud or is losing performance:

- Check the air inlets and air filters for dirt. Remove external dirt.
- From the outside, check the device for dirt (see chapter Maintenance). If the inside of the device is dirty, have it cleaned by a specialist company for cooling and air-conditioning or by Trotec.

Note

Wait for at least 3 minutes after maintenance and repair work. Only then switch the device back on.

The device still does not operate correctly after these checks:

Please contact the customer service. If necessary, bring the device to a specialist company for cooling and air-conditioning or to Trotec for repair.

Error codes

The following error codes can be indicated on the control panel:

Error code	Cause	Remedy
Hi	The room's humidity level is too high.	Switch the device off and do not take the device back into operation until the room humidity level has increased.
E1	The sensor for the evaporation temperature is damaged.	Switch off the device and call the customer service.
Lo	The room humidity level is too low.	The compressor stops and the fan continues to run.

Maintenance

Maintenance intervals

Maintenance and care interval	before every start-up	as needed	at least every 2 weeks	at least every 4 weeks	at least every 6 months	at least annually
Check air inlets and outlets for dirt and foreign objects and clean if necessary	X			X		
Clean the exterior		X				X
Visually check the inside of the device for dirt		X				X
Check the air filter for dirt and foreign objects and clean or replace if necessary	X		X			
Replace the air filter					X	
Check for damage	X					
Check attachment screws		X				X
Test run						X
Empty the condensation tank and/or drain hose		X				

Maintenance and care log

Device type:

Device number:

Maintenance and care interval	1	2	3	4	5	6	7	8	9	10	11	12	13	14	15	16
Check air inlets and outlets for dirt and foreign objects and clean if necessary																
Clean the exterior																
Visually check the inside of the device for dirt																
Check the air filter for dirt and foreign objects and clean or replace if necessary																
Replace the air filter																
Check for damage																
Check attachment screws																
Test run																
Empty the condensation tank and/or drain hose																
Comments																

1. Date:	2. Date:	3. Date:	4. Date:
Signature:	Signature:	Signature:	Signature:
5. Date:	6. Date:	7. Date:	8. Date:
Signature:	Signature:	Signature:	Signature:
9. Date:	10. Date:	11. Date:	12. Date:
Signature:	Signature:	Signature:	Signature:
13. Date:	14. Date:	15. Date:	16. Date:
Signature:	Signature:	Signature:	Signature:

Activities required before starting maintenance



Warning of electrical voltage

Do not touch the mains plug with wet or damp hands.

- Switch the device off.
- Hold onto the mains plug while pulling the power cable out of the mains socket.



Warning of electrical voltage

Tasks which require the device to be opened must only be carried out by authorised specialist companies or by Trotec.

Refrigerant circuit



Danger

Natural refrigerant propane (R290)!

H220 – Extremely flammable gas.

H280 – Contains gas under pressure; may explode if heated.

P210 – Keep away from heat, sparks, open flames and other ignition sources. No smoking.

P377 – Leaking gas fire: Do not extinguish, unless leak can be stopped safely.

P410+P403 – Protect from sunlight. Store in a well-ventilated place.

- The entire refrigerant circuit is a maintenance-free, hermetically sealed system and may only be maintained or repaired by specialist companies for cooling and air-conditioning or by Trotec.

Safety signs and labels on the device

Check the safety signs and labels attached to the device at regular intervals. Replace illegible safety signs!

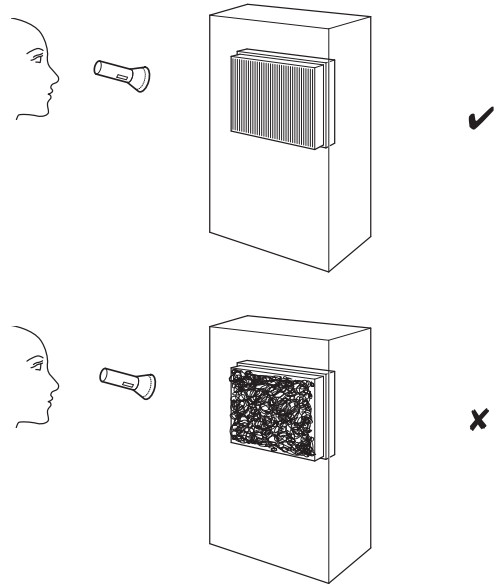
Cleaning the housing

Clean the housing with a soft, damp and lint-free cloth. Make sure that no moisture enters the housing. Protect electrical components from moisture. Do not use any aggressive cleaning agents such as cleaning sprays, solvents, alcohol-based or abrasive cleaners to dampen the cloth.

Visual inspection of the inside of the device for dirt

1. Remove the air filter.
2. Use a torch to illuminate the openings of the device.
3. Check the inside of the device for dirt.
4. If you see a thick layer of dust, have the inside of the device cleaned by a specialist company for cooling and air-conditioning or by Trotec.

5. Put the air filter back in.



Cleaning the air filter and changing the activated carbon filter

Note

Ensure that the air filter is not worn or damaged. The corners and edges of the air filter must not be deformed or rounded. Before reinserting the air filter, make sure that it is undamaged and dry!

Note

Do not operate the device without an inserted activated carbon filter and air filter!

Note

The activated carbon filter cannot be washed and must be replaced if necessary.

Note

The lifetime of the activated carbon filter depends on the ambient conditions and the application period of the device.

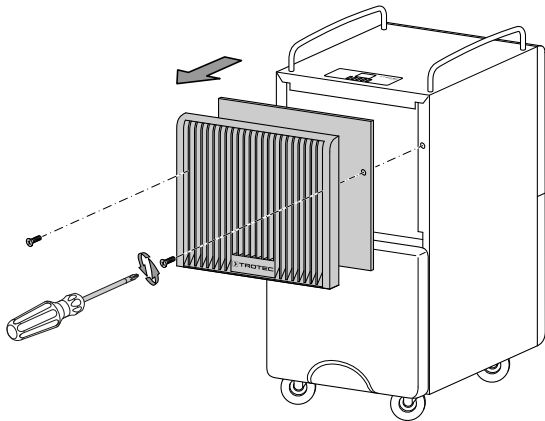
- The activated carbon filter must be cleaned or replaced if it is very dirty. This is brought to light e.g. by a reduced capacity (see chapter Errors and faults).
- Make sure that the air filter and the activated carbon filter are installed before switching the device on.

The air filter has to be cleaned as soon as it is dirty. This is brought to light e.g. by a reduced capacity (see chapter Errors and faults).

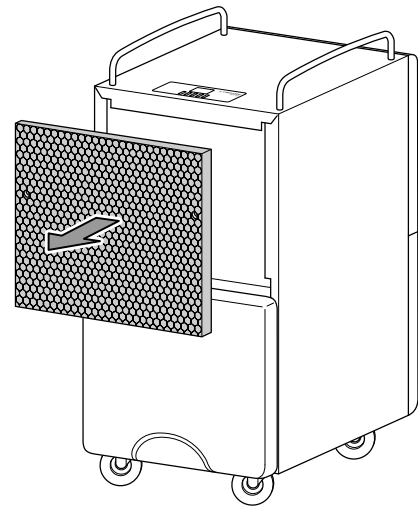
If required, visually inspect the filters for dirt.

- ✓ The device is switched off.
- ✓ The device is disconnected from the mains.

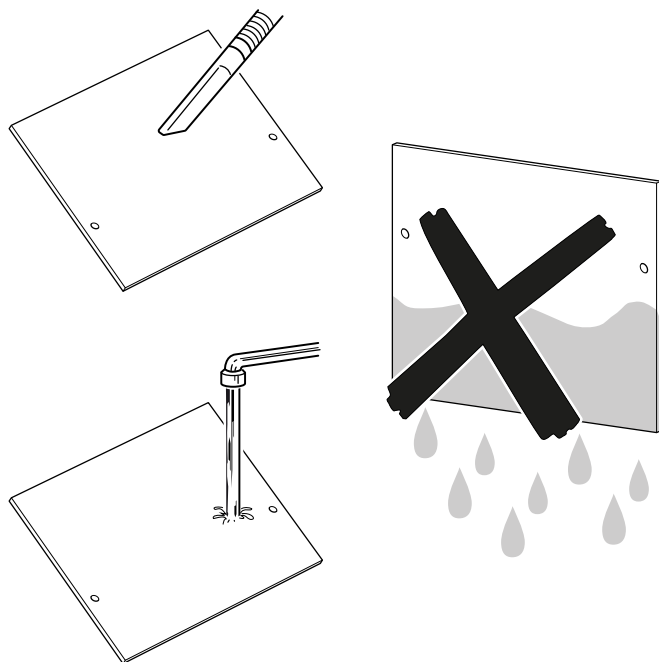
1. Remove the air inlet by loosening and removing both screws.
2. Remove the air filter.



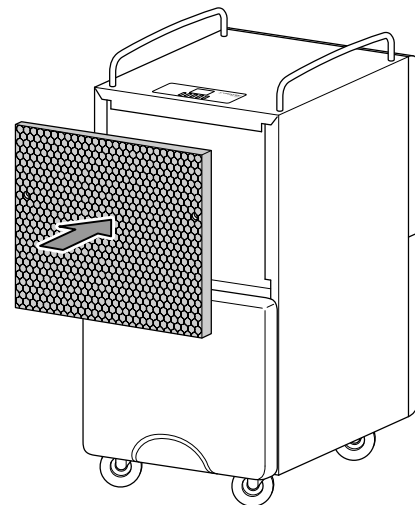
5. Remove the activated carbon filter.



3. Clean the filter using a slightly damp, soft, lint-free cloth. If the filter is heavily contaminated, clean it with warm water mixed with a neutral cleaning agent.



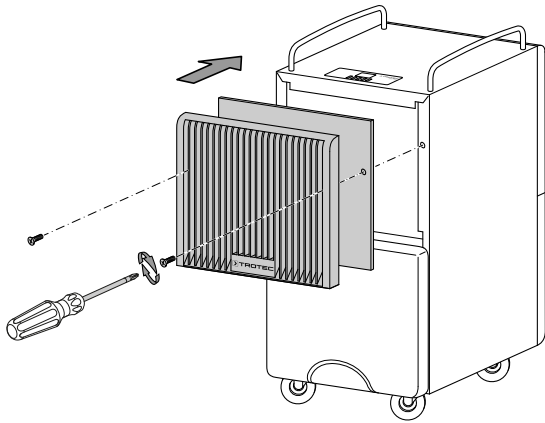
6. Clean the activated carbon filter with a dry, lint-free cloth or a Hoover if it is slightly dirty. If heavily soiled, dispose of the activated carbon filter in accordance with the national regulations and remove the new activated carbon filter from the plastic cover.
7. Insert the cleaned or the new activated carbon filter.



4. Allow the filter to dry completely. Do not insert a wet filter into the device!

8. Put the air filter back in.

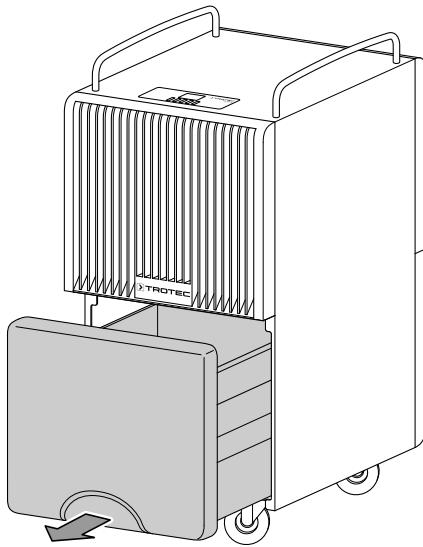
9. Refit the air inlet by inserting and tightening both screws.



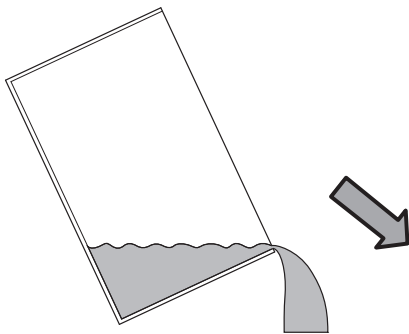
Emptying the condensation tank

If the condensation tank is full or not installed correctly, the *condensation tank full* LED (17) will be illuminated. The compressor and fan will switch off.

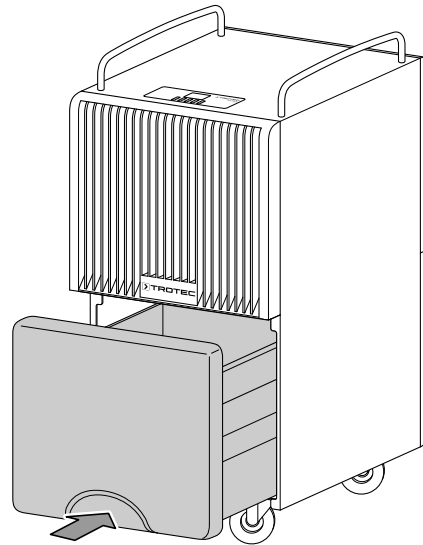
1. Take the condensation tank out of the device.
 - ⇒ Make sure not to damage the float when removing the condensation tank.



2. Empty the condensation tank over a drain or sink.



3. Rinse the condensation tank with clear water. Regularly clean the condensation tank using a mild cleaning agent (no detergent!).
4. Refit the condensation tank into the device. Make sure not to damage the float when inserting the condensation tank. In doing so, make sure that the float is positioned correctly. In doing so, make sure that the condensation tank is inserted correctly, for otherwise the device cannot be switched back on.



Activities required after maintenance

If you want to continue using the device:

- Leave the device to rest for 12 to 24 hours, so the refrigerant can accumulate within the compressor. Wait 12 to 24 hours before switching the device back on! Acting contrary might lead to compressor damage and a malfunctioning device. If so, any warranty claims will be voided.
- Reconnect the device to the mains.

If you do not intend to use the device for a considerable time:

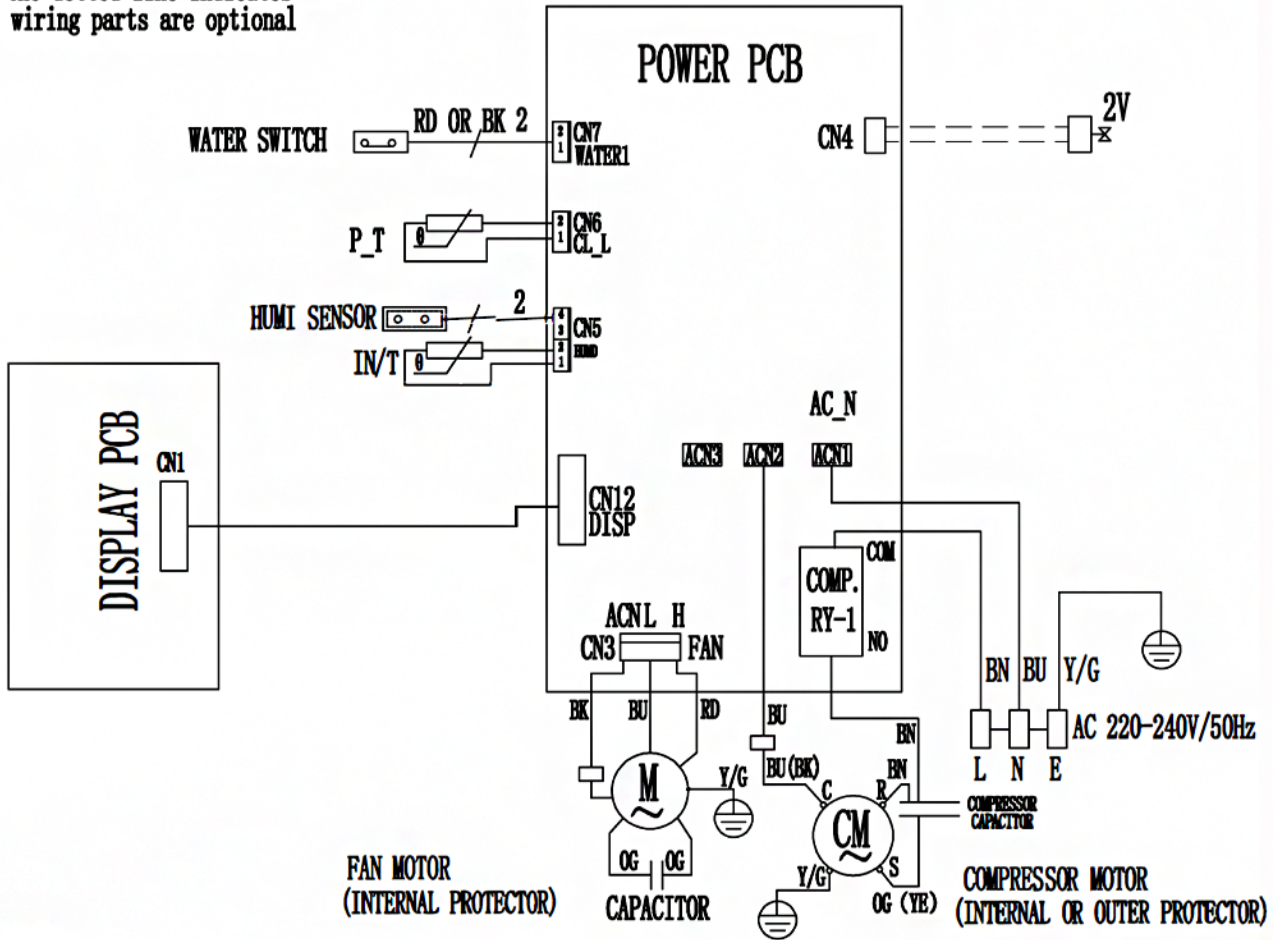
- Store the device according to the Transport and storage chapter.

Technical annex
Technical data

Parameter	Value	
Model	TTK 120 E	TTK 122 E
Dehumidification performance, max.	30 l / 24 h	40 l / 24 h
Air flow rate	240 m ³ /h	240 m ³ /h
Operating range (temperature)	5 °C – 35 °C	5 °C – 35 °C
Operating range (relative humidity)	30 % – 90 % RH	30 % – 90 % RH
Pressure suction side	1.2 MPa	1.2 MPa
Pressure outlet side	2.6 MPa	2.6 MPa
Max. permissible pressure	3.2 MPa	3.2 MPa
Mains connection	220 V – 240 V / 50 Hz	220 V – 240 V / 50 Hz
Power consumption, max.	0.62 kW	0.75 kW
Nominal current	2.5 A	2.5 A
Recommended fusing	10 A	10 A
Refrigerant	R290	R290
Amount of refrigerant	83 g	96 g
GWP factor	3	3
CO ₂ equivalent	0.000249 t	0.000288 t
Water tank	8 l	8 l
Sound pressure level	52 dB (A)	52 dB (A)
Dimensions (length x width x height)	310 x 453 x 635 mm	310 x 453 x 635 mm
Minimum distance to walls or other objects	top (A): 50 cm rear (B): 50 cm sides (C): 50 cm front (D): 50 cm	50 cm 50 cm 50 cm 50 cm
Weight	25 kg	27 kg

Wiring diagram

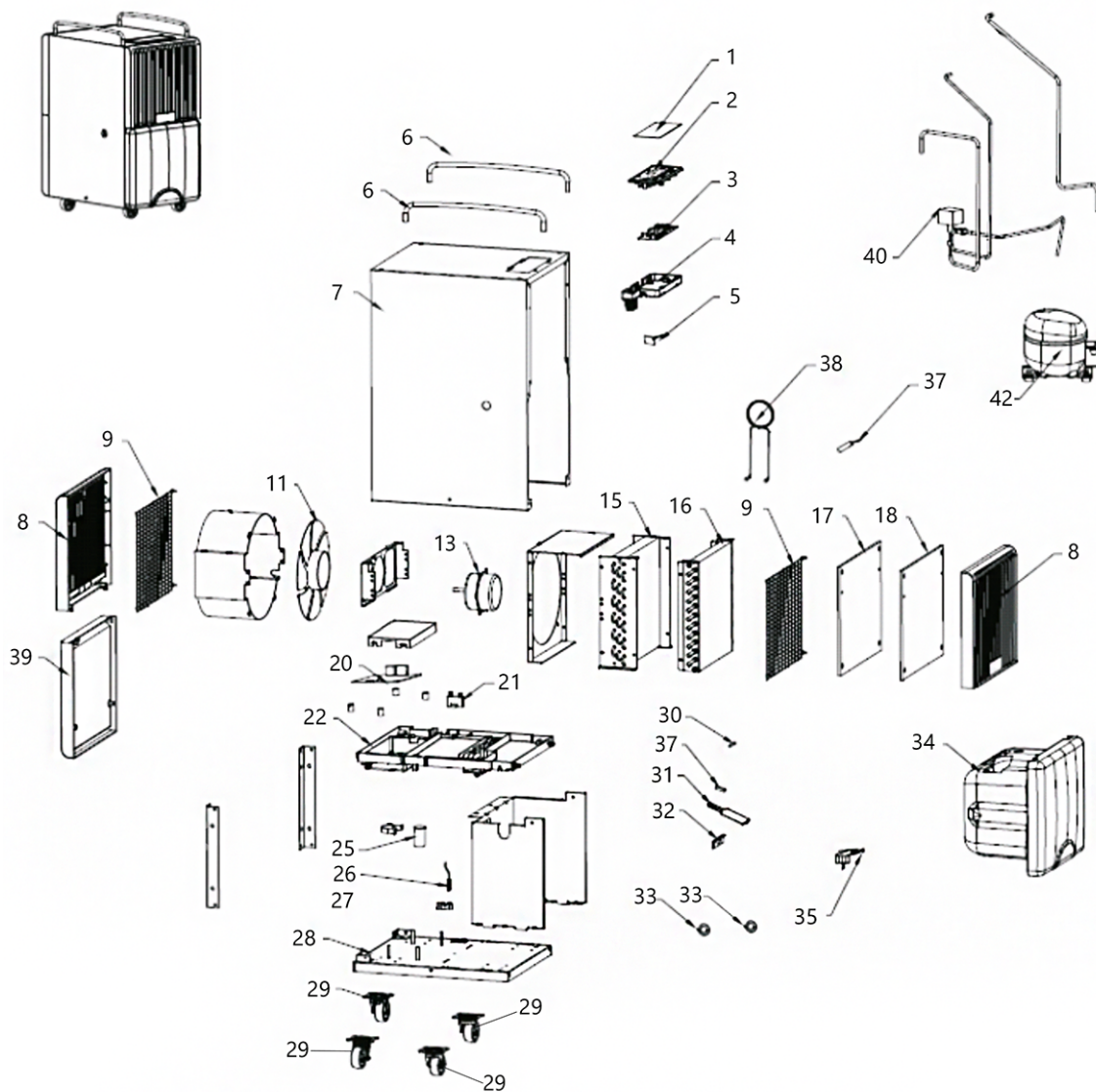
Note: the dotted line indicates wiring parts are optional



YK-D009-01

Overview of spare parts

Note: The position numbers of the spare parts differ from those describing the positions of other parts mentioned in this operating manual.



No.	Spare part	No.	Spare part	No.	Spare part
1	Control Mask	15	Condenser	30	pin
2	Control Panel	15	Condenser	31	Float
3	Display PCB	16	Evaporator	32	Water tank rubber ring
4	control Box	17	Activated carbon filter	33	Waterproof rubber ring through coil
5	Humidity Sensor	18	Dust proof filter screen	34	Water Tank
6	Handle	20	Power PCB	35	Power Cord
7	Shell	21	Motor Capacitor	37	Tube Temp. Sensor
8	Up Grille	22	Isolate Plate	38	Capillary
9	Grille net	25	Compressor Capacitor	39	down grille
10	Fan blade	26	Magnetic Switch	40	Solenoid valve assembly
11	Motor	28	Base	42	Compressor
13	Condenser	29	Casters		

Disposal



The icon with the crossed-out waste bin on waste electrical or electronic equipment stipulates that this equipment must not be disposed of with the household waste at the end of its life. You will find collection points for free return of waste electrical and electronic equipment in your vicinity. The addresses can be obtained from your municipality or local administration. You can also find out about other return options that apply for many EU countries on the website <https://hub.trotec.com/?id=45090>. Otherwise, please contact an official recycling centre for electronic and electrical equipment authorised for your country.

The separate collection of waste electrical and electronic equipment aims to enable the re-use, recycling and other forms of recovery of waste equipment as well as to prevent negative effects for the environment and human health caused by the disposal of hazardous substances potentially contained in the equipment.

Have the refrigerant (propane) disposed of appropriately and according to the national regulations by a company with the relevant certification (European Waste Catalogue 160504).

Trotec GmbH

Grebener Str. 7
D-52525 Heinsberg

☎ +49 2452 962-400

☎ +49 2452 962-200

✉ info@trotec.com

www.trotec.com