

Dantherm[®]
CLIMATE SOLUTIONS



MOBILE AIR CONDITIONING

AC 7000

IDEAL FOR OFFICE SPACES, DATA CENTRES, RENTAL ENVIRONMENTS
AND MORE



A revolution in workplace comfort

In the realm of workplace comfort, innovation has reached new heights with the advent of the AC 7000 mobile air conditioner.

Promising whisper-quiet cooling for professionals, this cutting-edge technology not only transforms the temperature of workspaces but also redefines the very notion of comfort. Picture a world where efficiency seamlessly intertwines with design, creating an optimal environment for productivity and well-being.

At the heart of the AC 7000 lies a sophisticated refrigerant cooling system that absorbs heat and channels it through a self-containing chilled water/glycol system. This ingenious process ensures efficient cooling while maintaining a serene atmosphere, ideal for concentration and focus.





Intelligent control cuts energy usage

The system's indoor unit, equipped with an EC fan, intelligently adjusts its speed based on setpoint deviation from the actual room temperature. This automatic regulation minimises energy consumption and eliminates unnecessary noise, providing a tranquil environment conducive to work. Moreover, the outdoor unit's fan dynamically adapts to external temperatures, ensuring optimal performance regardless of weather conditions.

With its sleek design, advanced features, and superior performance, the AC 7000 sets a new standard for mobile air conditioning technology. Whether in office spaces, data centres, or rental environments, it promises unparalleled comfort and efficiency, paving the way for a more productive and enjoyable work experience.



Status reporting

One of the standout features of the AC 7000 is its comprehensive status reporting system, facilitating easy diagnostics and maintenance. Additionally, the system complies with the F-Gas Regulation, utilising environmentally friendly refrigerants that future-proof against regulatory changes and rising costs.

In terms of convenience and versatility, the AC 7000 shines. It can be effortlessly controlled and monitored remotely via a mobile app, offering unparalleled flexibility for managing multiple units simultaneously. Furthermore, the system's quick-connect cooling line connectors and sturdy metal construction make installation a breeze, even for users without prior training.



Quiet operation and temperature resilience

The AC 7000 boasts a slew of benefits over its competitors, including high efficiency, remote accessibility, and robust construction. Its intelligent fan control ensures quiet operation and energy savings, while its ability to withstand temperatures up to 45°C makes it suitable for diverse environments.



Intelligent speed control for optimal performance

Moreover, the AC 7000's outdoor unit fan features intelligent speed control, crucial for maintaining optimal performance in colder weather. Without this functionality, the refrigeration circuit could over condense (over cool) in winter, potentially leading to reliability issues for the compressor and nuisance tripping. This innovative feature eliminates the need to compromise outdoor fan speed for high or low-temperature use, ensuring consistent and reliable operation year-round.

Application

- Rental companies
- Workshops
- Offices
- Data centres
- Fitness centres
- Commercial spaces



AC 7000



- Sturdy metal construction
- High-efficiency cooling circuit
- Cooling capacity of up to 7kW
- Air flow rates ranging from 800 to 1450m³/h
- Operating temperatures as low as -5°C
- Can be installed without prior training
- Quick-connect cooling line connectors
- Indoor unit with step-less variable fan speed and adjustable grille
- Remote control via app
- Up to 30 metre installation distance between indoor and outdoor units
- Slim water and glycol hose connection eliminates need for large air ducts

Delivered with:

- 1 x Indoor unit
- 1 x Outdoor unit
- 1 x Standard hose set
- 1 x Cable for electrical connection of indoor and outdoor units
- 1 x Power cable (for indoor unit)

The AC 7000 is a mobile air conditioner with split cooling circuits and it is ideally suited for professional room cooling and spot cooling. It also offers the option of circulating and cooling the room air. Operated via the intuitive control panel, the whisper-quiet unit is very easy to use. The EC fan automatically slows down when approaching the set temperature, thereby reducing both energy consumption and noise.

Optional accessories



Heavy-duty hose set
10m
1.210.000.136



AC 7000



AC 7000 control panel

The AC 7000 touchscreen control panel allows to set up and monitor the following parameters:

- Current and desired temperature
- Fan speed (6 steps)
- Choose functions: cooling, ventilation, auto
- Week plan set up
- Timer
- Control panel lock function with PIN

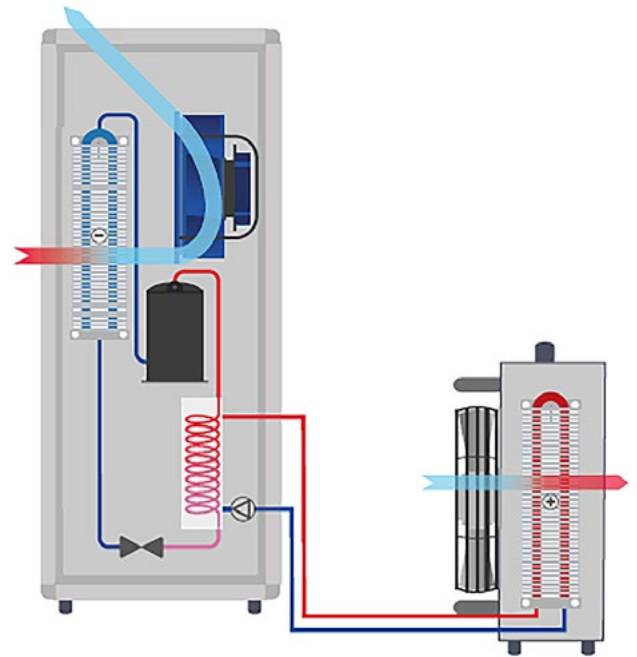
AC 7000



How it works

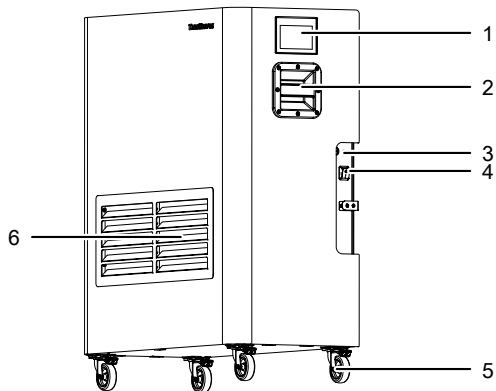
The AC 7000 absorbs the heat into a refrigerant cooling system. From there, the heat is transferred to the self-containing chilled water/glycol system. It is then pumped through to the outdoor unit where the water is cooled and the heat dissipates.

The indoor unit is connected to the outdoor unit via two 22mm quick-connect, self-sealing flexible hoses. These hoses are supplied in 10m lengths and can be connected to a maximum length of 30m.

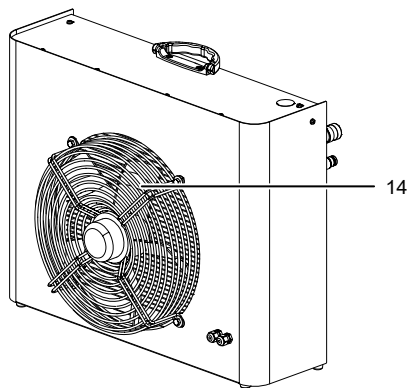


| Specifications | Units | AC 7000 |
|---|-------------------|---|
| Cooling capacity at 25°C | kW | 6.5 |
| Cooling capacity at 25°C | Btu/h | 22,178 |
| Max. cooling capacity | kW | 7 |
| Max. cooling capacity | Btu/h | 23,884 |
| Air flow min. | m ³ /h | 800 |
| Air flow max. | m ³ /h | 1,450 |
| Operating temperature range | °C | -5 – +45 |
| Power supply | V/Hz | 230/1ph/50 |
| Power input | W | 2,950 |
| Nominal current | A | 9 |
| Recommended fusing | A | 13 |
| Refrigerant | Type/g | R454C/840 |
| GWP factor | | 148 |
| Sound level @1m | db(A) | 62 |
| Protection class outdoor/indoor unit | | IP54/IP44 |
| Cooling medium (30% glycol/water mixture) of the outdoor unit | | 10.5 litres of water / 4.5 litres of glycol |
| Product size - internal unit (l x w x h) | mm | 400 x 880 x 1,025 |
| Product size - external unit (l x w x h) | mm | 250 x 700 x 580 |
| Weight | kg | 114 |

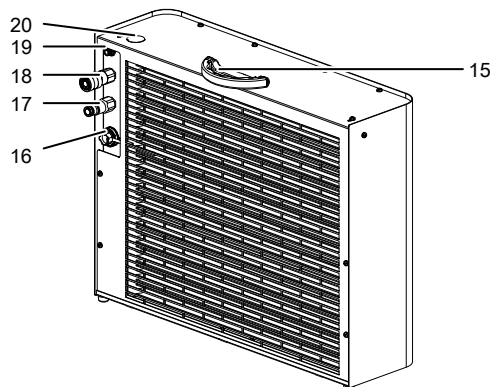
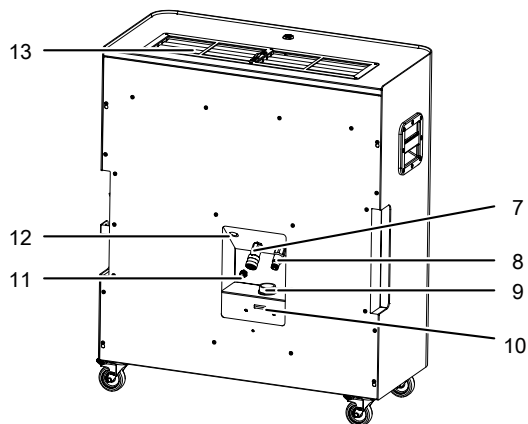
Main elements



AC 7000 - indoor unit



AC 7000 - outdoor unit



- 1. Control panel
- 2. Carrying handle
- 3. Mains connection
- 4. Main switch
- 5. Wheels
- 6. Air inlet with air filter
- 7. Connection cable to the indoor unit (OUT)
- 8. Connection cable to the indoor unit (IN)
- 9. Tank screw cap
- 10. Fill level indicator

- 11. Connection for the drain hose
- 12. Power cable for the outdoor unit
- 13. Air outlet
- 14. Fan
- 15. Handle
- 16. Mains connection for outdoor unit
- 17. Connection cable to the outdoor unit (OUT)
- 18. Connection cable to the outdoor unit (IN)
- 19. Connection for the drain hose
- 20. Vent screw for heat transfer fluid

DENMARK

Dantherm Denmark A/S
DK-7800 Skive
+45 96 14 37 00
sales.dk@danthermgroup.com

GERMANY

Dantherm GmbH
22844 Norderstedt
+49 40 526 8790
sales.de@danthermgroup.com

FRANCE

Dantherm Group SAS
69694 Vénissieux Cedex
+33 4 78 47 11 11

67850 Herrlisheim
+33 3 90 29 48 18
sales.fr@danthermgroup.com

SPAIN

Dantherm Group SP SAU
28108 Alcobendas, Madrid
+34 91 661 45 00

46980 Paterna, Valencia
+34 961 524 866
sales.es@danthermgroup.com

UNITED KINGDOM

Dantherm Group Ltd
Maldon CM9 4XD
+44 (0)1621 856611
sales.uk@danthermgroup.com

ITALY

Dantherm Group S.p.A.
37010 Pastrengo (VR)
+39 045 6770533
sales.it@danthermgroup.com

POLAND

Dantherm Group Sp. z o.o.
62-023 Gądko
+48 61 65 44 000
sales.pl@danthermgroup.com

NORWAY

Dantherm Group AS
3138 Skallestad
+47 33 35 16 00
sales.no@danthermgroup.com

SWEDEN

Dantherm Group AB
602 13 Norrköping
+46 (0)11 19 30 40
sales.se@danthermgroup.com

SWITZERLAND

Dantherm Group AG
CH-5405 Baden Dättwil
+41 43 500 00 50
sales.ch@danthermgroup.com

Dealer:

KEEP UPDATED
FOLLOW US ON:



danthermgroup.com