

EN

INSTRUCTIONS
LOCAL AIR CONDITIONER

Table of contents

Information on the use of these instructions 2

Safety 2

Information about the device..... 5

Transport and storage..... 6

Assembly and start-up..... 7

Operation 10

Errors and faults..... 15

Maintenance 16

Technical annex..... 19


Disposal 23


Simplified EU Declaration of Conformity 23

Information on the use of these instructions


Symbols


 **Danger**
This symbol indicates dangers to the life and health of persons due to extremely flammable gas.

 **Warning**
This signal word indicates a hazard with an average risk level which, if not avoided, can result in serious injury or death.

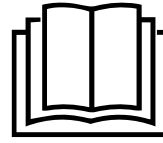
 **Warning of electrical voltage**
This symbol indicates dangers to the life and health of persons due to electrical voltage.

Notice
This signal word indicates important information (e.g. material damage), but does not indicate hazards.

 **Info**
Information marked with this symbol helps you to carry out your tasks quickly and safely.

 **Follow the manual**
Information marked with this symbol indicates that the instructions must be observed.

You can download the current version of these instructions via the following link:




PAC 3910 X



<https://hub.trotec.com/?id=47570>

Safety

Read this manual carefully before starting or using the device. Always store the manual in the immediate vicinity of the device or its site of use.

-  **Warning**
Read all safety warnings and all instructions. Failure to follow the warnings and instructions may result in electric shock, fire and/or serious injury. **Save all warnings and instructions for future reference.**
- This appliance can be used by children aged from 8 years and above and persons with reduced physical, sensory or mental capabilities or lack of experience and knowledge if they have been given supervision or instruction concerning use of the appliance in a safe way and understand the hazards involved. Children shall not play with the appliance. Cleaning and user maintenance shall not be done by children without supervision.
- Do not use the device in potentially explosive rooms or areas and do not install it there.
 - Do not use the device in an aggressive atmosphere.
 - Place the device in an upright and stable position on a horizontal and stable surface.
 - Let the device dry out after a wet clean. Do not operate it when wet.
 - Do not use the device with wet or damp hands.
 - Do not expose the device to directly squirting water.
 - Never insert any objects or limbs into the device.
 - Do not cover the device during operation.
 - Do not sit on the device.
 - This appliance is not a toy. Keep away from children and animals.
 - Check accessories and connection parts for possible damage prior to every use of the device. Do not use any defective devices or device parts.

- Ensure that all electric cables outside of the device are protected from damage (e.g. caused by animals). Never use the device if electric cables or the power connection are damaged!
- The mains connection must correspond to the specifications in the Technical annex.
- Insert the mains plug into a properly fused mains socket.
- Observe the technical data when selecting extensions to the power cable. Completely unroll the extension cable. Avoid electrical overload.
- Before carrying out maintenance, care or repair work on the device, remove the mains plug from the mains socket. Hold onto the mains plug while doing so.
- Switch the device off and disconnect the power cable from the mains socket when the device is not in use.
- Do not under any circumstances use the device if you detect damages on the mains plug or power cable. If the supply cord is damaged, it must be replaced by a special cord or assembly available from the manufacturer or its service agent.
Defective power cables pose a serious health risk!
- When positioning the device, observe the minimum distances from walls and other objects as well as the storage and operating conditions specified in the Technical annex.
- Make sure that the air inlet and outlet are not obstructed.
- Do not remove any safety signs, stickers or labels from the device. Keep all safety signs, stickers and labels in legible condition.
- Make sure that the suction side is kept free of dirt and loose objects.
- Only transport the device in an upright position with an emptied condensation tray or drain hose.
- Discharge the collected condensate before transport and storage. Do not drink it. Health hazard!
- Use batteries of type AAA.
- Do not insert rechargeable batteries into the remote control.
- Never charge batteries that cannot be recharged.
- Different types of batteries and new and used batteries must not be used together.
- Insert the batteries into the battery compartment according to the correct polarity.
- Remove discharged batteries. Batteries contain materials hazardous to the environment. Dispose of the batteries according to the national regulations.
- Remove the batteries from the remote control if you will not be using the device for a longer period of time.
- Never short-circuit the terminals of batteries!
- Do not swallow batteries! If a battery is swallowed, it can cause severe internal burns within 2 hours! These burns can lead to death!
- If you think batteries might have been swallowed or otherwise entered the body, seek medical attention immediately!
- Keep new and used batteries and an open battery compartment away from children.
- If the battery compartment does not close securely, stop using the product via the remote control.
- Only install the device in compliance with the national installation regulations.
- Only install, operate and store the device in a room measuring more than 12 m².
- Store the device in a way that no mechanical damage can occur.
- The entire refrigerant circuit is a maintenance-free, hermetically sealed system and may only be maintained or repaired by specialist companies for cooling and air-conditioning or by the manufacturer.

Safety instructions for servicing the refrigerant circuit:

- Every person working with or at the refrigerant circuit must be able to provide a certificate of qualification issued by a body accredited by the industry, demonstrating their competence in the safe use of refrigerants based on a procedure well-known in the industry.
- Service work may only be carried out in accordance with the manufacturer's specifications. If maintenance and repair work require the support of additional persons, the person trained in handling flammable refrigerants shall continuously supervise the work carried out.
- Do not store the device together with ignition sources in rooms without ventilation.

Warning

- Do not use any means other than those recommended by the manufacturer for accelerating the defrosting process or cleaning the device.
- Do not drill into or burn.
- Please note that the refrigerant is odourless.
- Observe the national regulations for gas installations.
- Observe the maximum refrigerant capacity in the technical data.
- R290 is a refrigerant that complies with European environmental regulations. No part of the cooling circuit may be perforated.

Intended use

Only use the device for cooling, ventilating and dehumidifying indoor air whilst adhering to the technical data.

Any use other than the intended use is regarded as misuse.

Reasonably foreseeable misuse

- Do not place the device on wet or flooded ground.
- Do not place any objects, e.g. clothing, on the device.
- Do not use outdoors.
- Never immerse the device in water.
- Do not make any unauthorised modifications, alterations or structural changes to the device.
- Do not use the device in the immediate vicinity of swimming pools, bathtubs and showers.

Personnel qualification

People who use this device must:

- have basic knowledge of how to safely handle electrical equipment.
- have read and understood the instructions, especially the Safety chapter.

Maintenance tasks which require the housing to be opened must only be carried out by specialist companies for cooling and air-conditioning or by the manufacturer.

Safety signs and labels on the device

Notice

Do not remove any safety signs, stickers or labels from the device. Keep all safety signs, stickers and labels in legible condition.



The following safety signs and labels are attached to the device:

WARNING • WARNUNG • ATTENTION

DE Das Gerät muss in einem Raum mit einer Grundfläche größer als 12 m² aufgestellt, betrieben und gelagert werden.

EN Appliance shall be installed, operated and stored in a room with floor area larger than 12 m².

FR L'appareil doit être installé, utilisé et entreposé dans une pièce avec une surface supérieure à 12 m².

Follow the manual

This symbol indicates that the instructions must be observed.

Follow the repair manual

Disposal, maintenance and repair work of the refrigerant circuit may only be carried out in accordance with the manufacturer's specifications and by persons having a certificate of qualification. A corresponding repair manual is available from the manufacturer upon request.

!!! ACHTUNG !!!

1. Vor Inbetriebnahme MIND. 12 STUNDEN aufrecht und still stehen lassen! Das schützt den Kompressor, verlängert die Lebensdauer erheblich und verhindert so einen Verlust der Kühlleistung.
2. Das Klimagerät muss immer BESONDERS VORSICHTIG auf den Boden gestellt werden! Ansonsten können Mikrorisse in der Bodenplatte und der Kondensatwanne entstehen, was dazu führt, dass Kondenswasser auf den Boden tropft.

Für Schäden, die durch unsachgemäßen Gebrauch entstehen, übernehmen wir KEINE GEWÄHRLEISTUNG!

!!! WARNING !!!

1. Before operation, stand upright and rest for MIN 12 HOURS! This protects the compressor, greatly extending its life and preventing loss of cooling performance.
2. The air conditioner must always be placed on the floor with CAUTION! Otherwise, microcracks may form in the bottom plate and the condensate pan, causing condensation to drip onto the floor.

For damages caused by improper use, WARRANTY WILL BE NULL AND VOID!

!!! ATTENTION !!!

1. Avant la mise en service, laissez immobile en position verticale PENDANT AU MOINS 12 HEURES ! Cela protège le compresseur, prolonge sensiblement la durée de vie et évite ainsi une diminution des performances de refroidissement.
2. Le climatiseur doit toujours être posé sur le sol AVEC LES PLUS GRANDES PRÉCAUTIONS ! Sinon, des micro-fissures risquent de se former dans le socle ou le bac de récupération de l'eau de condensation, ce qui entraînerait que cette dernière coule sur le sol.

Toute utilisation incorrecte ou non conforme entraîne L'EXTINCTION DE LA GARANTIE !

Residual risks



Danger

Natural refrigerant propane (R290)!

H220 – Extremely flammable gas.

H280 – Contains gas under pressure; may explode if heated.

P210 – Keep away from heat, sparks, open flames and other ignition sources. No smoking.

P377 – Leaking gas fire: Do not extinguish, unless leak can be stopped safely.

P410+P403 – Protect from sunlight. Store in a well-ventilated place.



Warning of electrical voltage

Risk of electric shock!

Risk of an electric shock if the device comes into contact with water!

Do not use this device in the immediate vicinity of bathtubs, showers or swimming pools!



Warning of electrical voltage

Work on the electrical components must only be carried out by an authorised specialist company!



Warning of electrical voltage

Before any work on the device, remove the mains plug from the mains socket!

Do not touch the mains plug with wet or damp hands.

Hold onto the mains plug while pulling the power cable out of the mains socket.



Warning of electrical voltage

Risk of electric shock!

The device is not protected against water.

There is a risk of electric shock!

Never use the device in areas where dripping, spraying or running water can enter the device! Never immerse the device in water!

Notice

Do not operate the device without an inserted air filter!

Without the air filter, the inside of the device will be heavily contaminated. This could reduce the performance and result in damage to the device.

Behaviour in the event of an emergency

1. Switch the device off.
2. Disconnect the device from the mains by removing the mains plug from the socket. When doing so, be sure to hold the plug, not the cable.
3. Do not reconnect a defective device to the mains.

Information about the device

Device description

The device serves the purpose of cooling the room air. It further filters and dehumidifies the air thus creating an agreeable room climate.

The device cools the room air by withdrawing warmth. The absorbed warmth is emitted to the outside via the exhaust air hose; cooled air is fed to the installation site by means of a fan.

Accumulating condensate drips from the evaporator onto the hot condenser, there it evaporates and then is transported to the outside via the exhaust air hose.

In *Ventilation* mode the device provides the opportunity of air circulation without cooling effect.

In *Dehumidification* mode moisture is withdrawn from the air.

The device operates fully automatically and features a variety of further options. The device can, for instance, be switched on or off automatically with time delay via the timer function.

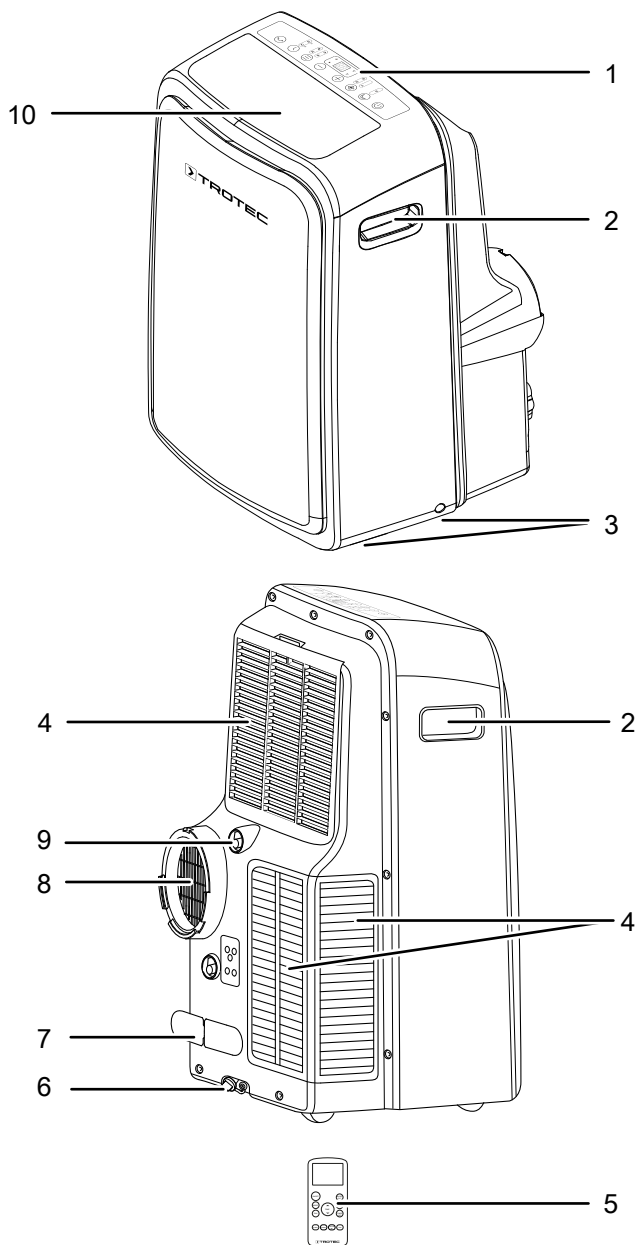
Operation of the device is possible either via the control panel at the device or via the supplied infrared remote control.

The device was designed for universal and flexible application.

Due to its compact dimensions it can be easily transported and used in all interior spaces.

The device is not protected against water (IPX0).

Device depiction



Transport and storage

Notice

If you store or transport the device improperly, the device may be damaged.
 Note the information regarding transport and storage of the device.

Transport

Please note that additional transport regulations might apply to devices containing flammable refrigerants. The equipment's arrangement and the maximum number of components to be transported together can be gathered from the applicable transport regulations.

To make the device easier to transport, it is fitted with wheels.
 To make the device easier to transport, it is fitted with a handle.

Before transporting the device, observe the following:

- Switch the device off.
- Disconnect the device from the mains by removing the mains plug from the socket. When doing so, be sure to hold the plug, not the cable.
- Drain the remaining condensate from the device.
- Do not use the power cable to drag the device.
- Only wheel the device on firm and level surfaces.

After transporting the device, proceed as follows:

- Set up the device in an upright position after transport.
- Leave the device to rest for at least 12 hours, so the refrigerant can accumulate within the compressor. Wait 12 hours before switching the device back on! Acting contrary might lead to compressor damage and a malfunctioning device.

No.	Designation
1	Control panel
2	Transport handle
3	Wheels
4	Air inlet with air filter
5	Remote control
6	Condensate outlet with sealing cap
7	Power cable holder
8	Exhaust air hose connection
9	Hose connection with rubber stopper
10	Air outlet

Storage

Before storing the device, observe the following:

- Drain the remaining condensate from the device.
- Disconnect the device from the mains by removing the mains plug from the socket. When doing so, be sure to hold the plug, not the cable.

When the device is not being used, observe the following storage conditions:

- Only store the device in a room measuring more than 12 m².

Warning

- Store the appliance in a room without continuously operating open flames (for example an operating gas appliance) or other potential ignition sources (for example an operating electric heater, hot surfaces);
- Store the device in a dry location and protected from frost and heat.
- Store the device in an upright position where it is protected from dust and direct sunlight.
- If required, use a cover to protect the device from invasive dust.
- Place no further devices or objects on top of the device to prevent it from being damaged.
- Remove the batteries from the remote control.

Assembly and start-up

Scope of delivery

- 1 x Device
- 1 x Exhaust air hose
- 1 x Hose adapter
- 1 x Hose connector with sealing cap
- 4 x Screw
- 1 x Condensation drain hose
- 1 x Adapter for condensation drain hose
- 1 x Power cable holder
- 1 x Remote control (without batteries)
- 1 x Manual

Unpacking the device



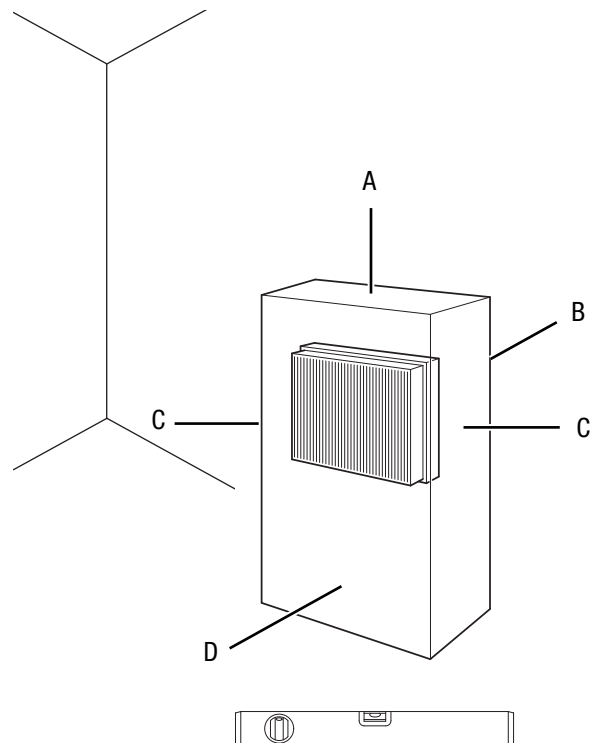
Warning

There is a danger of suffocation for children due to packaging material! Keep packaging films and parts away from children. There is a risk of death due to suffocation.

1. Open the cardboard box and take the device out.
2. Completely remove the packaging.
3. Fully unwind the power cable. Make sure that the power cable is not damaged and that you do not damage it during unwinding.

Start-up

When positioning the device, observe the minimum distance from walls or other objects as described in the Technical data chapter.



- Only position the device in rooms where potentially leaking refrigerant cannot accumulate.
- Before restarting the device, check the condition of the power cable. If there are doubts as to the sound condition, contact the customer service.
- Place the device in an upright and stable position on a horizontal and stable surface.
- Do not create tripping hazards when laying the power cable or other electric cables, especially when positioning the device in the middle of the room. Use cable bridges.
- Make sure that extension cables are completely unrolled.
- Keep air inlets and outlets as well as the exhaust air hose connection free.
- Make sure that no curtains or other objects interfere with the air flow.

Inserting batteries into the remote control



Warning of electrical voltage

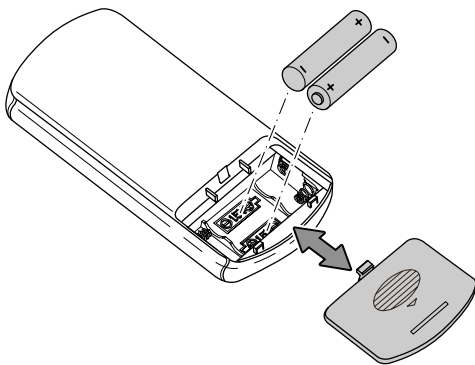
Do not touch the battery compartment with wet or damp hands.

Notice

Do not use rechargeable batteries!

Please proceed as follows to insert or exchange the batteries:

1. Press the upper part on the back of the remote control and pull the battery cover off the remote control.
2. Insert two batteries into the battery compartment according to the correct polarity.
3. Slide the battery cover back onto the remote control.

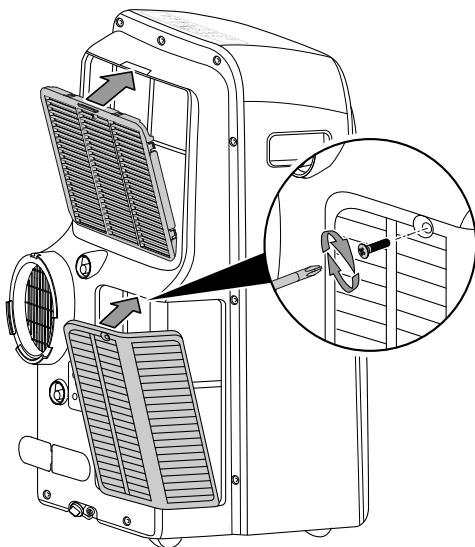


Inserting the air filter

Notice

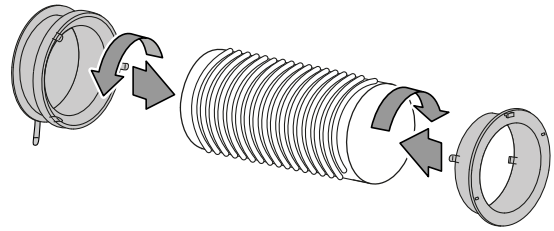
Do not operate the device without an inserted air filter! Without the air filter, the inside of the device will be heavily contaminated. This could reduce the performance and result in damage to the device.

- Make sure that the air filter is installed before switching the device on.

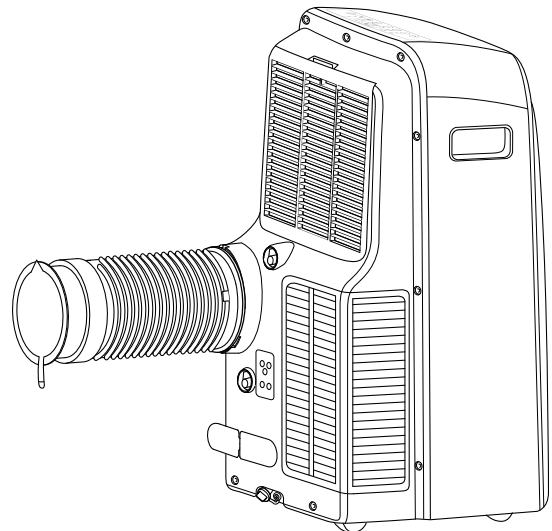
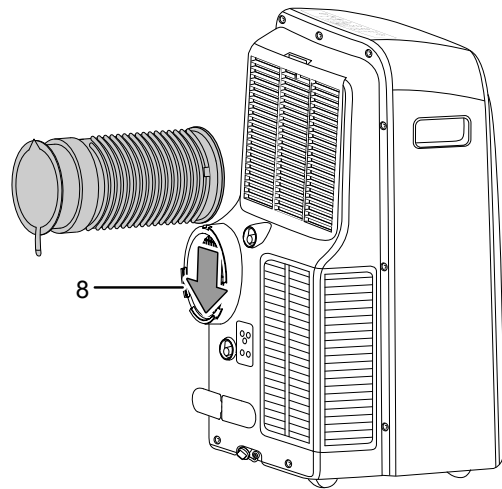


Connecting the exhaust air hose

1. Connect the hose adapters to one end of the exhaust air hose each.



2. Connect the suitable end of the exhaust air hose to the exhaust air hose connection (8) located at the device.



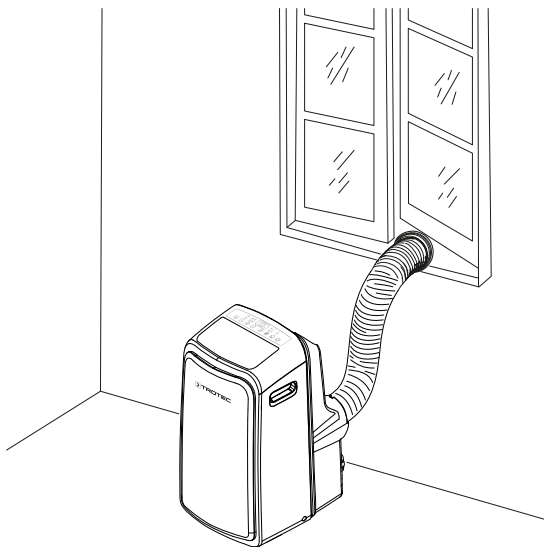
Discharging exhaust air

- The exhaust air coming from the device contains waste heat from the room to be cooled. For this reason it is recommended to discharge the exhaust air to the outside.
- The end of the exhaust air hose can be fed through the open window. If required, secure the open window with the corresponding means, so that the end of the exhaust air hose cannot shift.
- The end of the exhaust air hose can also be hooked into a tilted window.

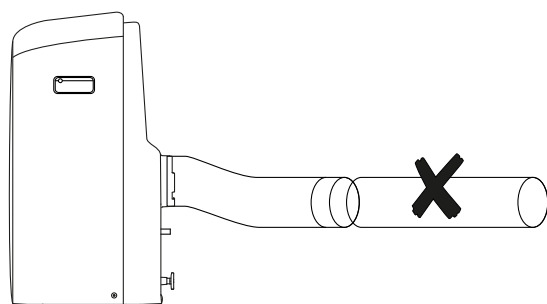
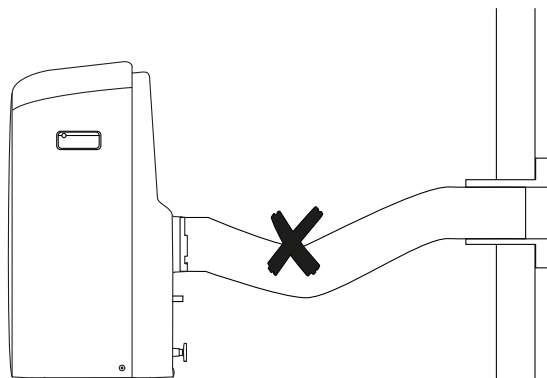
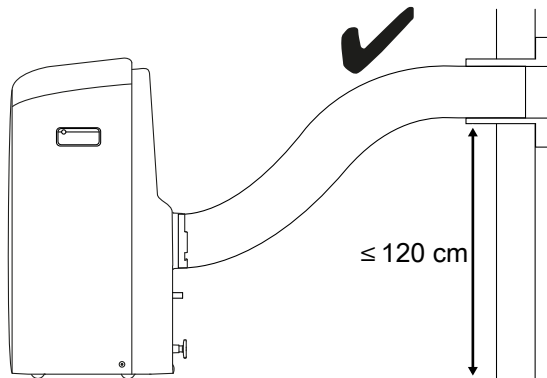
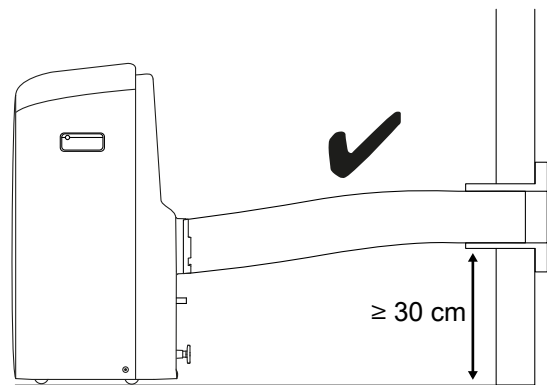
For this purpose, we recommend using a window seal (optional).

- Install the exhaust air hose inclined with the air direction.
- The connected hose must not contain any source of ignition.

Example with exhaust air hose:



For installing the exhaust air hose please observe the following:



- Avoid kinks in the exhaust air hose. Kinks and bends would lead to an accumulation of emitted humid air causing the device to overheat and shut down.
- The dimensions of the exhaust air hose were especially made to fit the device. Do not replace or extend the hose. This could cause a malfunction of the device.

Connecting the power cable

Notice

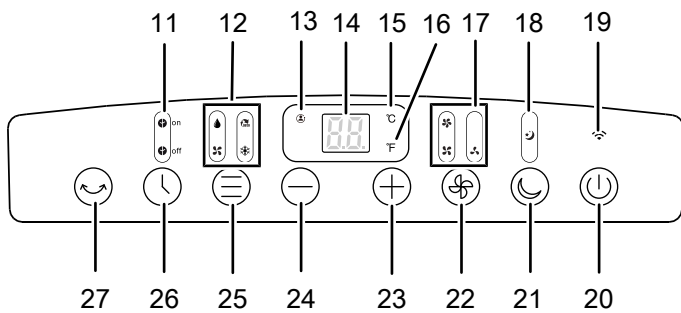
When actuating switches on the device, voltage fluctuations can occur on the supply line. In unfavourable conditions, operating the device can have negative impacts on the voltage supply. The device is determined for connection to the mains with a maximum permissible impedance of $Z_{max} = 0.363 \Omega$ on the supply interface on the user's side. The user must ensure that the device is only connected to the mains if the mains meet the requirements mentioned above. If desired, the user can contact the public power supply company to ask for information regarding the impedance on the supply interface on the user's side.

- Connect the mains plug to a properly secured socket.

Operation

- Avoid open doors and windows.

Operating elements



No.	Designation	Meaning
11	Timer LEDs	Illuminated when the <i>Timer</i> is activated
12	Operating mode LEDs	Indicates the selected operating mode: ☁ = automatic operation * = cooling ♀ = dehumidification ✨ = ventilation
13	FOLLOW ME LED	Illuminated when the Follow Me function is activated
14	Segment display	Indication of the current room temperature in dehumidification and ventilation mode Indication of the target temperature Indication of the set number of hours during timer programming Indication of the error code, see chapter Errors and faults
15	Degrees Celsius LED	Illuminated when display of <i>Degrees Celsius</i> is enabled

No.	Designation	Meaning
16	Degrees Fahrenheit LED	Illuminated when display of <i>Degrees Fahrenheit</i> is enabled
17	Fan speed LEDs	Fan speed indication: Automatic stage ⚡ Stage 1 = low ⚡ Stage 2 = high ⚡ Stage 3 = maximum
18	Sleep LED	Illuminated when night mode is activated
19	Wi-Fi LED	Illuminated when Wi-Fi is activated
20	On/Off button	Switching the device on or off
21	Sleep button	For switching <i>night mode</i> on or off
22	Fan speed button	Setting the fan speed
23	Increase value button	For increasing the target temperature (17 °C to 30 °C) for cooling For increasing the number of hours when programming the timer
24	Decrease value button	For reducing the target temperature (17 °C to 30 °C) for cooling For reducing the number of hours when programming the timer
25	Mode button	For selecting the operating mode: ☁ = automatic operation * = cooling ♀ = dehumidification ✨ = ventilation
26	Timer button	Switching the timer functions on or off
27	Swing button	For switching the swing function on or off



Warning of electrical voltage

Risk of electric shock!
 The device is not protected against water. There is a risk of electric shock!
 Never use the device in areas where dripping, spraying or running water can enter the device! Never immerse the device in water!



Info

An acoustic signal is emitted each time a setting is activated.

Switching the device on

1. Allow the device to rest for a time.
2. Once you have completely installed the device as described in the Start-up chapter, you can switch it on.
3. Press the *On/Off* button (20).
 - ⇒ The device starts in *Cooling* mode.
 - ⇒ The air outlet (10) opens automatically.
4. Select the desired operating mode.

The device switches off automatically when the condensation tank is full. *P1* is displayed on the segment display (14).

Setting the operating mode

- Automatic operation
- Cooling
- Dehumidification
- Ventilation

Automatic operation

In *Automatic operation* mode the *Cooling* or *Ventilation* process will be regulated depending on the ambient temperature and the target temperature.

1. Press the *Mode* button (25) until the *Automatic operation* LED (12) is illuminated.
 - ⇒ At a corresponding temperature difference between ambient and target temperature the device automatically switches over to cooling or ventilation mode. The LEDs for *Automatic operation* (12) and *Degrees Celsius* (15) are illuminated. The fan speed is regulated automatically.

Cooling

In *Cooling* mode the room will be cooled down to the desired target temperature.

1. Press the *Mode* button (25) until the *Cooling* LED (12) is illuminated.
 - ⇒ *Cooling* mode is selected.
2. Repeatedly press the *Increase value* (24) or *Decrease value* button (23) to select the desired target temperature. The temperature can be adjusted in increments of 1 °C in a range between 17 °C and 30 °C.
 - ⇒ The desired target temperature is indicated on the segment display (14).
3. Press the *Fan speed* button (22) to set the desired fan stage.
 - ⇒ The *Fan speed* LED (17) for the desired fan stage will be illuminated.
 - ⇒ The *Cooling* LED (12) will be illuminated to indicate *Cooling* mode.

Dehumidification

In *Dehumidification* mode the humidity level in the room is reduced.

The temperature cannot be adjusted and the fan runs at the lowest speed level.



Info

Remove the exhaust air hose during *Dehumidification*, otherwise the performance will be insufficient.

1. Press the *Mode* button (25) until the *Dehumidification* LED (12) is illuminated.
 - ⇒ *Dehumidification* mode is selected.
 - ⇒ The current room temperature is indicated on the segment display (14).
 - ⇒ The temperature and the fan stage (stage 1) are preset in this operating mode and cannot be changed.



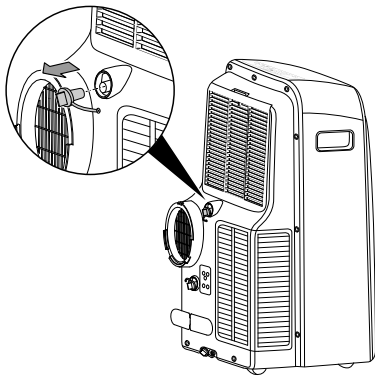
Info

If the device is operated in a very humid environment, the accumulating condensate must be discharged at regular intervals (see Condensate discharge).

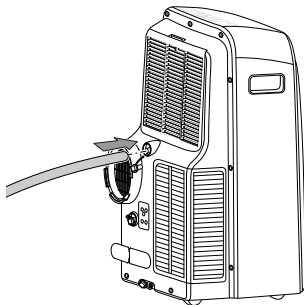
Connecting the condensation drain hose

If you use the device for an extended period of time or you don't want to empty the tank all the time, you can connect a condensation drain hose to the hose connection.

- ✓ The device is switched off.
- ✓ The device is disconnected from the mains.
- 1. Carefully transport or wheel the device to a suitable location for discharging the condensate (e.g. a drain) or position a suitable collection container under the condensate outlet.
- 2. Remove the rubber stopper from the hose connection (9).



- 3. Connect the condensation drain hose to the hose connection (9).



- 4. Guide the other hose end to a suitable drain or sufficiently dimensioned collection container. To ensure that the condensate can run off, the condensation drain hose must not be kinked, nor should it have to overcome an uphill incline towards the drain.

Ventilation



Info

Remove the exhaust air hose during *Ventilation*.

In *Ventilation* mode the room air is circulated, but not cooled.

1. Press the *Mode* button (25) until the *Ventilation* LED (12) is lit.
 - ⇒ *Ventilation* mode is selected.
 - ⇒ The current room temperature is indicated on the segment display (14).
2. Press the *Fan speed* button (22) to set the desired fan stage.
 - ⇒ The *Fan speed* LED (17) indicates the selected fan stage. When the automatic stage is activated, none of the *Fan speed* LEDs (17) is illuminated.

Setting the timer

The timer function switches the device on or off after the set time has elapsed.

This setting can be made at the device or using the remote control and set in all operating modes and also during stand-by. The time can be set in increments of 0.5 hours (0 to 10 h) or in increments of 1 hour (10 h to 24 h).

1. Press the *Timer* button (26) until the *Timer On* or *Timer Off* LED (11) is illuminated.
2. Set the desired number of hours by use of the *Increase value* (23) and *Decrease value* (24) buttons.
 - ⇒ The number of hours will be indicated on the segment display (14) for approx. 5 seconds.
 - ⇒ The timer setting equals the desired number of hours.
 - ⇒ The corresponding LED *Timer On* or *Timer Off* (11) is illuminated as long as the timer is active.
 - ⇒ After the predefined time, the device switches itself on or off.
 - ⇒ Setting the number of hours to 0 switches the timer function off.
 - ⇒ If the device is disconnected from the power supply, all settings for automatic switch-on/switch-off are deleted.

Automatic switch-on and *Automatic switch-off* may be enabled at the same time. The *Timer* LEDs (11) on the control panel will then be illuminated simultaneously.

Night mode

Night mode can be activated in *Cooling* mode and during *Automatic operation*.

After 1 hour the preset temperature is increased by 1 °C. After another 30 minutes the preset temperature will again be increased by 1 °C. Then the temperature is kept constant for 7 hours before the device sets the original temperature automatically.

In *Automatic* mode, the fan speed is preset to the lowest stage and cannot be adjusted. In *Cooling* mode, the fan speed can be changed, which disables night mode.

To activate night mode, please proceed as follows:

1. Select *Cooling* mode or *Automatic operation*.
2. Press the *Sleep* button (21).
 - ⇒ The *Operating mode* (12) and *Sleep* LEDs (18) are illuminated.
3. In order to switch the night mode off, press the *Sleep* button (21) once again.
 - ⇒ The *Sleep* LED (18) turns off.

Swing function

The swing function can be switched on in any operating mode.

By means of the swing function, the air outlet (10) is moved automatically and thus ensures continuous air circulation.

1. Press the *Swing* button (27).
 - ⇒ The flap at the air outlet (10) moves up and down continuously.
2. Press the *Swing* button (27) again to stop the flap at the air outlet (10) in a certain position and to switch off the swing function.

Enable Wi-Fi

Please proceed as follows to activate Wi-Fi for the first time:

1. Press the *Swing* button (27) for 3 seconds.
 - ⇒ *AP* is indicated on the segment display (14) while the connection is being established.
 - ⇒ The connection should be active within 8 minutes. If the connection fails within 8 minutes, the device automatically terminates the connection.
 - ⇒ If the Wi-Fi connection has been successfully activated, *ON* is indicated for 3 seconds on the segment display (14) and the Wi-Fi LED (19) is illuminated.
2. To deactivate the connection, press the *Swing* button (27) again for 3 seconds.
 - ⇒ *OFF* is indicated on the segment display (14) for 3 seconds and the Wi-Fi LED (19) goes out.

Changing the unit °C / °F

The temperature in the segment display (14) can be indicated in °C or °F.

Please proceed as follows to change the temperature unit:

1. Simultaneously press and hold the *Increase value* (23) and *Decrease value* (24) buttons for approx. 3 seconds.
 - ⇒ The displayed temperature is converted to the other unit.

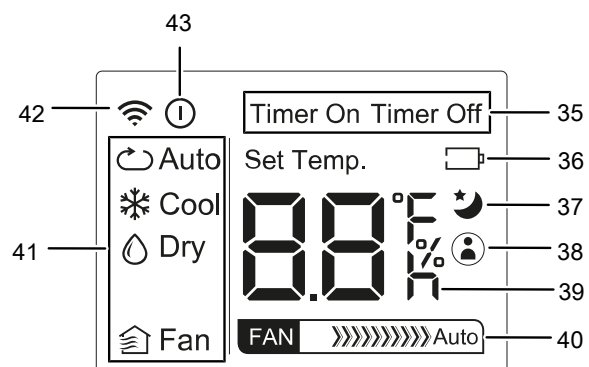
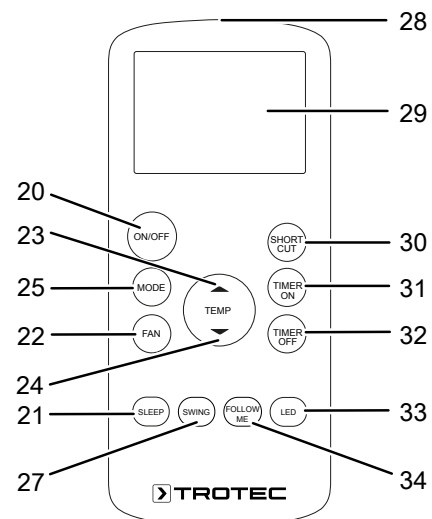
Operation with the remote control

All settings of the device can also be made using the remote control included in the scope of delivery.



Info

After a longer period of non-use, the remote control will switch to standby mode. Standby mode can be terminated by pressing the *ON/OFF* button (20) on the remote control. The device automatically uses the current settings entered via the remote control.



No.	Designation	Meaning
20	ON/OFF button	For switching the device on or off
21	SLEEP button	For switching <i>night mode</i> on or off
22	FAN button	Setting the fan speed
23	Increase value button	For increasing the target temperature (17 °C to 30 °C) for cooling
24	Decrease value button	For reducing the target temperature (17 °C to 30 °C) for cooling
25	MODE button	For selecting the operating mode: <i>Auto</i> = Automatic operation <i>Cool</i> = Cooling <i>Dry</i> = Dehumidification <i>Fan</i> = Ventilation
27	SWING button	For switching the swing function on or off
28	Remote control transmitter/receiver	For infrared transmission to the device
29	Display	Indication of different device functions
30	SHORT CUT button	For saving the preferred settings For returning to the previous setting
31	TIMER ON button	<i>Automatic switch-on</i> timer function in increments of 0.5 hours (0 h to 10 h) or in increments of 1 hour (10 h to 24 h) For setting the number of hours when programming the timer
32	TIMER OFF button	<i>Automatic switch-off</i> timer function in increments of 0.5 hours (0 h to 10 h) or in increments of 1 hour (10 h to 24 h) For setting the number of hours when programming the timer
33	LED button	For switching the LED display on or off
34	FOLLOW ME button	For switching the Follow Me function on or off
35	TIMER ON / OFF indication	Displayed for automatic switch-on/-off with programmed timer
36	Battery indication	Display of the battery charge
37	Night mode indication	Displayed when night mode is activated
38	FOLLOW ME indication	Displayed when the Follow Me function is activated
39	Segment display remote control	Indication of the target temperature Indication of the set number of hours during timer programming Indication of the preferred settings °C indication
40	Fan indication	Indicates the fan stage

No.	Designation	Meaning
41	Operating mode indication	Indicates the selected operating mode: <i>Auto</i> = Automatic operation <i>Cool</i> = Cooling <i>Dry</i> = Dehumidification <i>Fan</i> = Ventilation
42	Transmission indication	Displayed during communication between device and remote control
43	Standby indication	Displayed when the remote control is in standby mode

Switching the LEDs on the control panel on or off

The control panel illumination at the devices can be switched on and off.

This setting can only be made using the remote control.

- Press the *LED* button (33).
⇒ The LEDs and the segment display (14) on the control panel will be switched off.
⇒ The device continues to run with the selected settings.
- Press the *LED* button (33) again.
⇒ The LEDs and the segment display (14) on the control panel will be switched back on.

Follow Me function

This setting can only be made using the remote control.

Using the Follow Me function, the remote control measures the temperature at your current location. The degree of cooling is controlled by the air conditioner based on the measured temperature.

The Follow Me function can be activated in *Cooling* mode and during *Automatic operation*.

- Press the *FOLLOW ME* button (34).
⇒ *FOLLOW-ME* (38) appears on the segment display of the remote control (39).
⇒ The *FOLLOW ME* LED (13) on the device is illuminated.
⇒ The remote control sends a temperature signal to the air conditioner every 3 minutes.
- Press the *FOLLOW ME* button (34) again to disable the Follow Me function.

Memory function

After a power failure during operation the device will automatically be switched back on. The chosen operating mode settings will be saved, a possibly programmed timer will not.

All the chosen settings (incl. timer) remain saved on the remote control. As soon as the device receives an input from the remote control, the settings will be transmitted from the remote control to the device.

The compressor may start up with a delay of 3 minutes, as it is provided with an internal protection against direct restart.

Shutdown



Warning of electrical voltage

Do not touch the mains plug with wet or damp hands.

- Switch off the device by pressing the *On/Off* button (20).
- Disconnect the device from the mains by removing the mains plug from the socket. When doing so, be sure to hold the plug, not the cable.
- Empty the condensation tray if necessary.
- If necessary, remove the condensation drain hose and any residual fluid from it.
- If required, clean the device according to the "Maintenance" chapter.
- Store the device according to the Transport and storage chapter.

Errors and faults

The device has been checked for proper functioning several times during production. If malfunctions occur nonetheless, check the device according to the following list.

Notice

Wait for at least 3 minutes after maintenance and repair work. Only then switch the device back on.

The device does not start:

- Check the power connection.
- Check the power cable and mains plug for damage. If you notice damages, do not try to take the device back into operation.
If the supply cord is damaged, it must be replaced by the manufacturer, its service agent or similarly qualified persons in order to avoid a hazard.
- Check the on-site fusing.
- Observe the operating temperature according to the chapter Technical annex.
- If the device is not starting, have the electricians checked by a specialist company or by the manufacturer.

The device works with reduced or no cooling capacity:

- Check whether *cooling* mode is selected.
- Check the position of the flap at the air outlet (10). The flap at the air outlet (10) must be opened as far as possible.
- Check the air filter(s) for dirt. If necessary, clean or replace the air filter(s).
- Check the minimum distance to walls or other objects. Position the device a little more in the room's centre if required.
- Check the temperature setting at the device. Reduce the set temperature if it is higher than the room temperature.

The device is loud or vibrates:

- Check whether the device is set up in a stable and upright position.

Condensate is leaking:

- Check the device for leaks.

The compressor does not start:

- Check whether the overheating protection of the compressor has tripped. Disconnect the device from the mains and let it cool down for approx. 10 minutes before reconnecting it.
- The compressor may start up with a delay of 3 minutes, as it is provided with an internal protection against direct restart.

The device gets very warm, is loud or is losing power:

- Check the air inlet and air filter for dirt. Remove external dirt.
- From the outside, check the device for dirt (see chapter Maintenance). If the inside of the device is dirty, have it cleaned by a specialist company for cooling and air-conditioning or by the manufacturer.

The device does not respond to the infrared remote control:

- Check whether the distance between remote control and device is too large and reduce it if necessary.
- Make sure there are no obstacles, such as furniture or walls, between the device and the remote control. Ensure visual contact between device and remote control.

The device still does not operate correctly after these checks:

Please contact the customer service. If necessary, bring the device to a specialist company for cooling and air-conditioning or to the manufacturer for repair.

Error codes

The following error messages can be displayed on the segment display (14).

Error code	Cause	Remedy
P1	Condensation tank full	Empty the condensation tank. Should the error still be displayed, please contact the customer service.

Maintenance

Maintenance intervals

Maintenance and care interval	before every start-up	as needed	at least every 2 weeks	at least every 4 weeks	at least every 6 months	at least annually
Check air inlets and outlets for dirt and foreign objects and clean if necessary	X			X		
Clean the exterior		X				X
Visually check the inside of the device for dirt		X				X
Check the air filter for dirt and foreign objects and clean or replace if necessary	X		X			
Replace the air filter					X	
Check for damage	X					
Check the attachment screws		X				X
Test run						X
Empty the condensation tray and drain hose		X				

Maintenance and care log

Device type:

Device number:

Maintenance and care interval	1	2	3	4	5	6	7	8	9	10	11	12	13	14	15	16
Check air inlets and outlets for dirt and foreign objects and clean if necessary																
Check air inlets and outlets for dirt and foreign objects and clean if necessary																
Clean the exterior																
Visually check the inside of the device for dirt																
Replace the air filter																
Check the attachment screws																
Test run																
Empty the condensation tray and drain hose																
Comments																

1. Date: Signature:	2. Date: Signature:	3. Date: Signature:	4. Date: Signature:
5. Date: Signature:	6. Date: Signature:	7. Date: Signature:	8. Date: Signature:
9. Date: Signature:	10. Date: Signature:	11. Date: Signature:	12. Date: Signature:
13. Date: Signature:	14. Date: Signature:	15. Date: Signature:	16. Date: Signature:

Activities required before starting maintenance



Warning of electrical voltage

Do not touch the mains plug with wet or damp hands.

- Switch the device off.
- Disconnect the device from the mains by removing the mains plug from the socket. When doing so, be sure to hold the plug, not the cable.



Warning of electrical voltage

Tasks which require the device to be opened must only be carried out by authorised specialist companies or by the manufacturer.

Refrigerant circuit



Danger

Natural refrigerant propane (R290)!

H220 – Extremely flammable gas.

H280 – Contains gas under pressure; may explode if heated.

P210 – Keep away from heat, sparks, open flames and other ignition sources. No smoking.

P377 – Leaking gas fire: Do not extinguish, unless leak can be stopped safely.

P410+P403 – Protect from sunlight. Store in a well-ventilated place.

- The entire refrigerant circuit is a maintenance-free, hermetically sealed system and may only be maintained or repaired by specialist companies for cooling and air-conditioning or by the manufacturer.

Safety signs and labels on the device

Check the safety signs and labels attached to the device at regular intervals. Replace illegible safety signs!

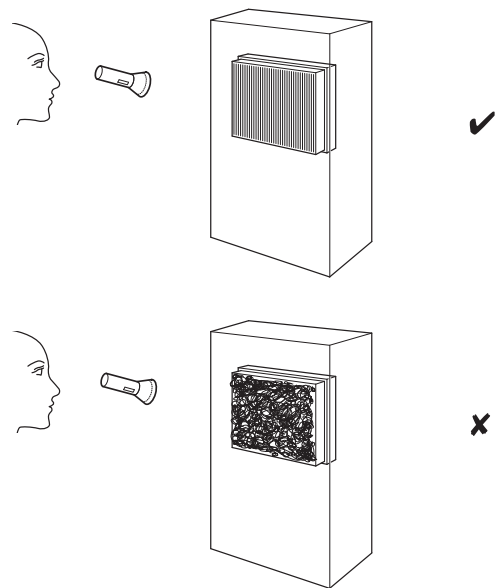
Cleaning the housing

Clean the housing with a soft, damp and lint-free cloth. Make sure that no moisture enters the housing. Protect electrical components from moisture. Do not use any aggressive cleaning agents such as cleaning sprays, solvents, alcohol-based or abrasive cleaners to dampen the cloth.

Visual inspection of the inside of the device for dirt

1. Remove the air filter.
2. Use a torch to illuminate the openings of the device.
3. Check the inside of the device for dirt.
4. If you see a thick layer of dust, have the inside of the device cleaned by a specialist company for cooling and air-conditioning or by the manufacturer.

5. Put the air filter back in.



Cleaning the air filter

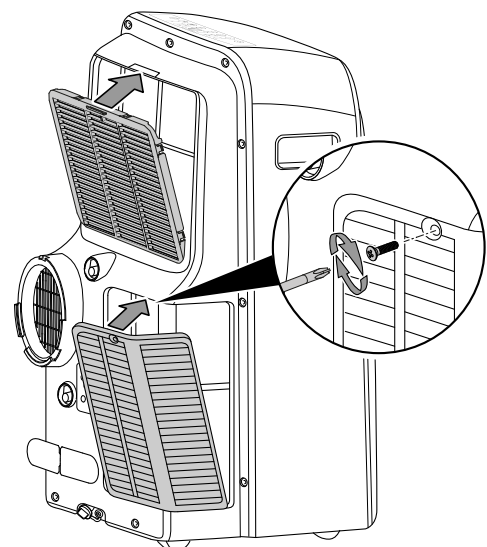
The air filters have to be cleaned as soon as they are dirty. This is brought to light e.g. by a reduced capacity (see chapter Errors and faults).



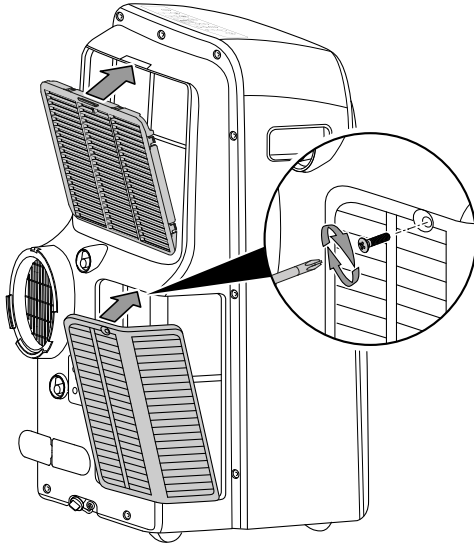
Warning

Ensure that the air filters are neither worn nor damaged. The corners and edges of the air filters must not be deformed or rounded. Before reinserting the air filters, make sure that they are undamaged and dry!

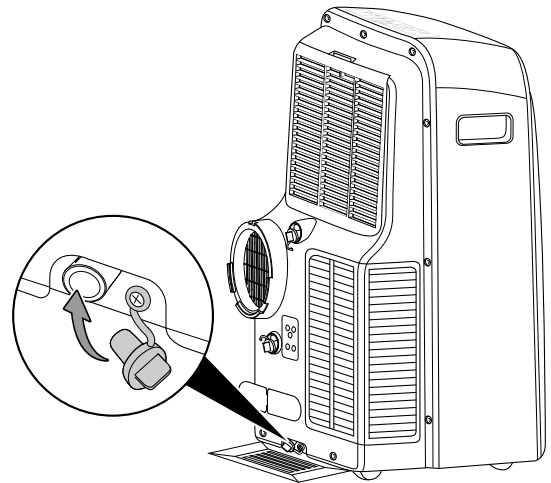
1. Remove the air filters from the device.



2. Clean the filters using a slightly damp, soft, lint-free cloth. If the filters are heavily contaminated, clean them with warm water mixed with a neutral cleaning agent.
3. Allow the filters to dry completely. Do not put any wet filters into the device!
4. Reinsert the air filters into the device.



2. Drain the condensate.



⇒ The *P1* error code on the segment display (14) will disappear as soon as the condensate has been drained.

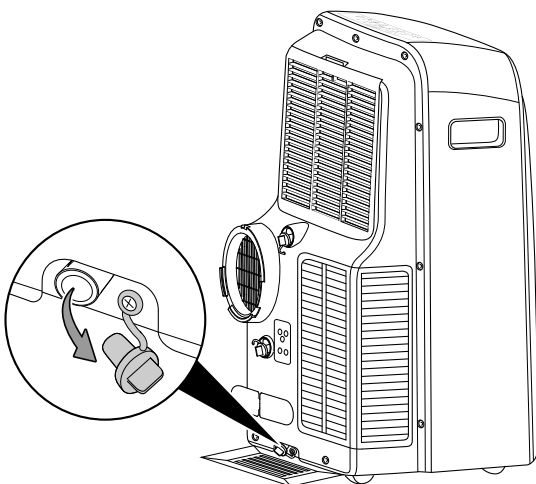
Condensate discharge (manual draining)

In *cooling* and *dehumidification* mode condensate is formed, which is mostly discharged via the exhaust air.

The remaining condensate is collected in a container within the housing. The condensate ought to be drained regularly.

If too much condensate accumulates, the device switches off and indicates this via the *P1* error code on the segment display (14).

1. Check whether there is a drain at the installation site or provide a suitable collection container under the condensate outlet.



Activities required after maintenance

If you want to continue using the device:

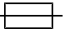
- Leave the device to rest for at least 24 hours if it has been tilted by more than 45° during maintenance. During this time, the lubricating oil can be returned to the compressor. Wait 24 hours before switching the device back on! Acting contrary might lead to compressor damage and a malfunctioning device.

If you do not intend to use the device for a considerable time:

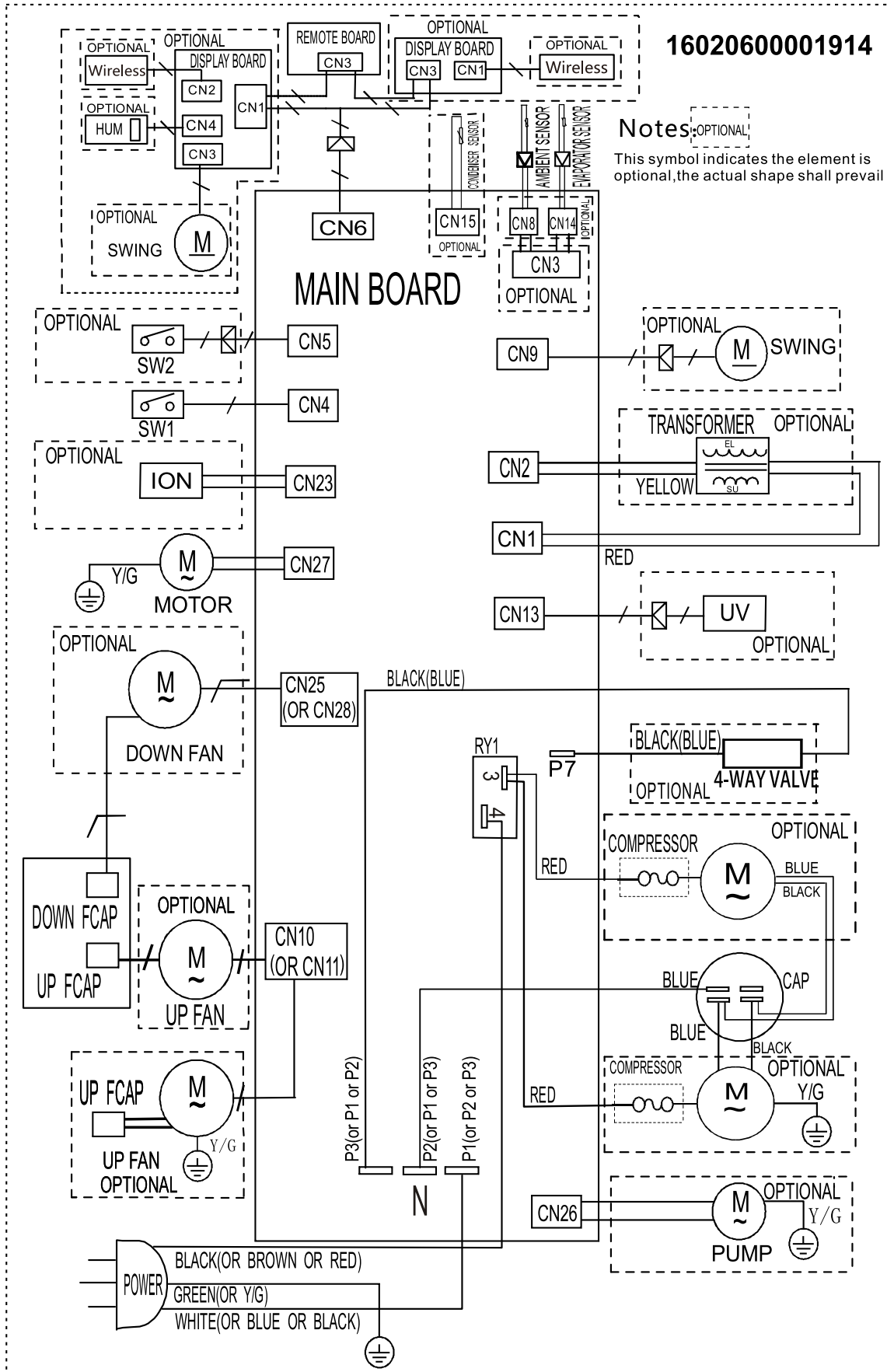
- Store the device according to the Transport and storage chapter.

Technical annex

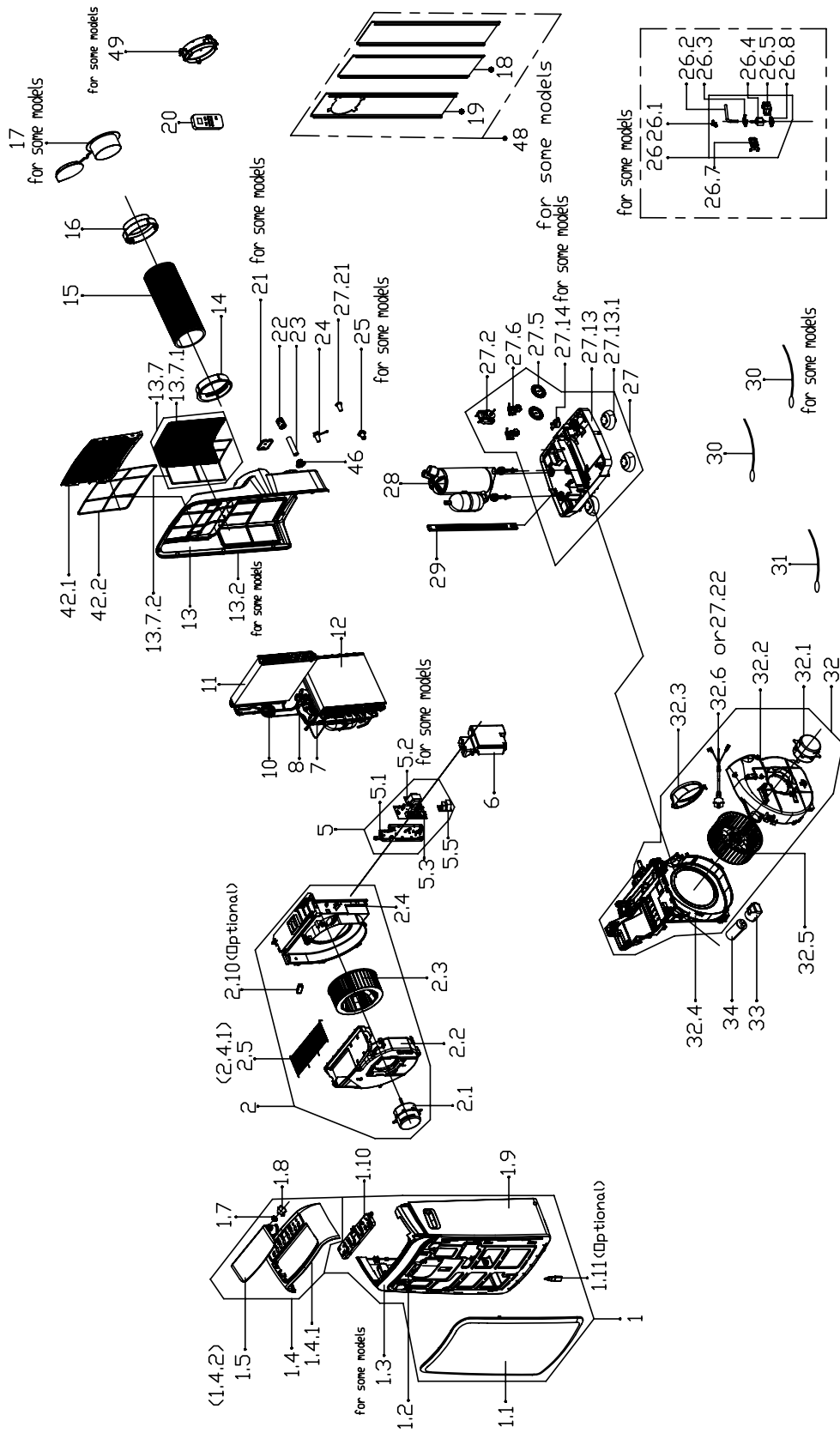
Technical data

Model	PAC 3910 X
Cooling capacity	4.1 kW
Dehumidification performance	3,752 l/h
Operating temperature	17 °C to 35 °C
Max. air volume flow	425 m ³ /h
Suction side pressure	1 MPa
Discharge side pressure	2.6 MPa
Max. permissible pressure	3.7 MPa
Mains connection	220 V – 240 V / 50 Hz
Nominal current	10 A
Fusing 	3.15 A (slow-blowing)
Max. power consumption	2 kW
Power input (cooling operation)	1.575 kW
Sound pressure level at a distance of 1 m	65 dB(A)
Type of protection	IPX0
Refrigerant	R290
Amount of refrigerant	0.23 kg
GWP factor	0.02 (IPCC6)
CO ₂ equivalent	0.0000046 t
Dimensions (length x width x height)	467 x 397 x 765 mm
Minimum distance to walls and other objects:	top (A): 30 cm rear (B): 30 cm sides (C): 30 cm front (D): 30 cm
Weight	34 kg
Remote control battery	Type LR03 / AAA – 1.5 V

Circuit diagram



Overview and list of spare parts



Note: The position numbers of the spare parts differ from those describing the positions of the components mentioned in these instructions.

No.	Spare part	No.	Spare part	No.	Spare part
1	Front panel assembly	6	E-Box Cover	27.6	Water Level Switch
1.1	Front panel	7	Suction pipe assembly	27.6	Water Level Switch
1.2	Signal Receiving Board Subassembly	8	Discharge pipe assembly	27.13	Chassis subassembly
1.3	Adorn board	10	Capillary assembly	27.13.1	Universal Wheel
1.4	Upper panel subassembly	11	Evaporator assembly	27.21	Drain Stopper
1.4.1	Upper panel	12	Condenser assembly	27.22	European standard power cord
1.4.2	Horizontal louver	13	Rear Panel assembly	28	Fixed Speed Rotary Compressor
1.7	Gear	13.7	Outside Inlet Air Frame Unit Assembly	29	Pipe Temperature Sensor
1.8	Stepper Motor	13.7.1	Outside inlet air frame unit	30	Room Temperature Sensor
1.9	Middle Panel	13.7.2	Down filter	31	Middle partition board assembly
1.10	Display board subassembly	14	Connector Air Exhaust Duct	32.1	Single Phase Asynchronous Motor
2	Cover of Air exhaust volute shell assembly	15	Exhaust Hose Subassembly	32.2	Cover of Air exhaust volute shell(outdoor)
2.1	Single Phase Asynchronous Motor	16	Connector, Air Exhaust Duct	32.3	Exhaust Fixed Joint Component Subassembly
2.2	Air outlet volute shell	17	Connector, Air Exhaust Duct	32.4	Partition board subassembly
2.3	Centrifugal Fan	20	Remote controller	32.5	Centrifugal Fan
2.4	subassembly of Fan Shell Cover	22	Cover of Drain Connector(Outdoor)	33	Capacitor box
2.4.1	Outdoor Air Inlet Grille	23	Drain Hose	34	Compressor Capacitor
2.10	Ion generator	24	Drain Stopper	42	Inside inlet air frame unit assembly
5	Electronic control box subassembly	27	Chassis assembly	42.1	Indoor air inlet grille
5.1	Electronic control box subassembly	27.2	Shaded-Pole Motor	42.2	inside filte
5.3	Main control board subassembly	27.5	Water wheel		

Disposal

Always dispose of packing materials in an environmentally friendly manner and in accordance with the applicable local disposal regulations.



The icon with the crossed-out wheeled bin indicates that this device and any associated components (e.g. remote controls) must not be disposed of with household waste at the end of their life, in accordance with the Waste Electrical and Electronic Equipment Directive (2012/19/EU) and national laws.

You will find collection points for free return of waste electrical and electronic equipment in your vicinity. The addresses can be obtained from your municipality or local administration. You can also find out about other return options that apply for many EU countries on the website <https://hub.trotec.com/?id=45090>. Otherwise, please contact an official recycling centre for electronic and electrical equipment authorised for your country.

The separate collection of waste electrical and electronic equipment aims to enable the re-use, recycling and other forms of recovery of waste equipment as well as to prevent negative effects for the environment and human health caused by the disposal of hazardous substances potentially contained in the equipment.



This icon with the crossed-out wheeled bin indicates that batteries or accumulators must not be disposed of with household waste at the end of their life. If the device contains batteries or accumulators that contain mercury, cadmium or lead, the respective chemical symbol (Hg, Cd or Pb) is shown below the icon of the crossed-out wheeled bin. To prevent environmental pollution, do not carelessly leave batteries or electrical and electronic equipment containing batteries in public areas. In the European Union, batteries and accumulators must be returned to a designated collection point in accordance with REGULATION (EU) 2023/1542 OF THE EUROPEAN PARLIAMENT AND OF THE COUNCIL of 12 July 2023 concerning batteries and waste batteries. Remove batteries/accumulators and dispose of them separately according to the relevant legal requirements.

Have the refrigerant (propane) disposed of appropriately and according to the national regulations by a company with the relevant certification (European Waste Catalogue 160504).

Only for United Kingdom

According to Waste Electrical and Electronic Equipment Regulations 2013 (SI 2013/3113) (as amended) and the Waste Batteries and Accumulators Regulations 2009 (SI 2009/890) (as amended), devices that are no longer usable must be collected separately and disposed of in an environmentally friendly manner.

Simplified EU Declaration of Conformity

Hereby, Trotec GmbH declares that the radio equipment type (PAC 3910 X – Wifi module) is in compliance with Directive 2014/53/EU. The full text of the EU declaration of conformity is available at the following internet address:

<https://hub.trotec.com/?id=47570>

Trotec GmbH

Grebbener Str. 7
52525 Heinsberg
Germany

☎ +49 2452 962-0

☎ +49 2452 962-200

✉ online@trotec.com

www.trotec.com