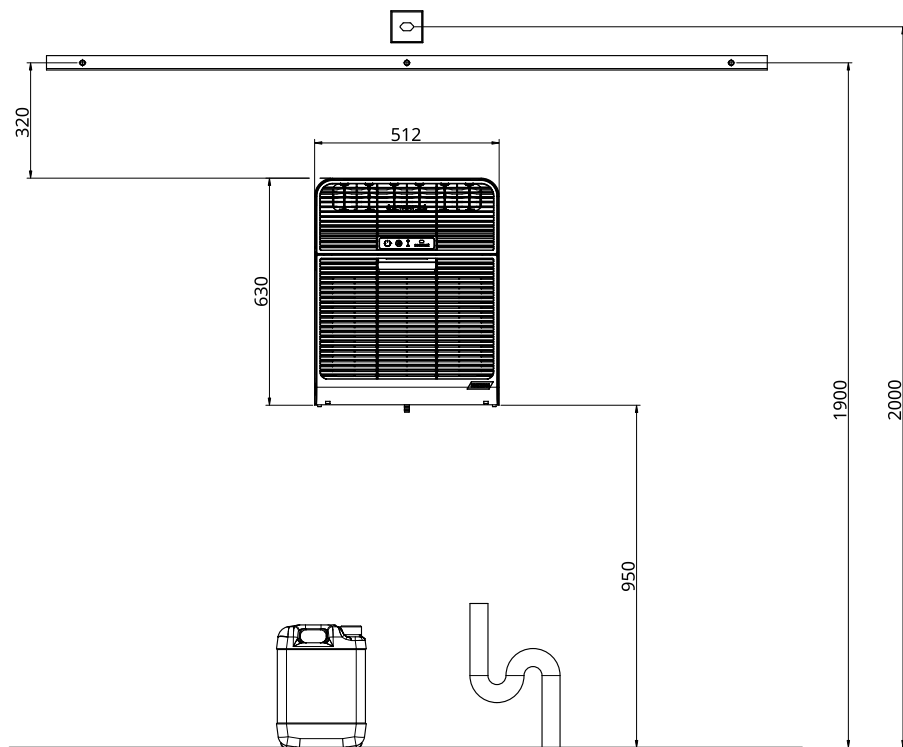
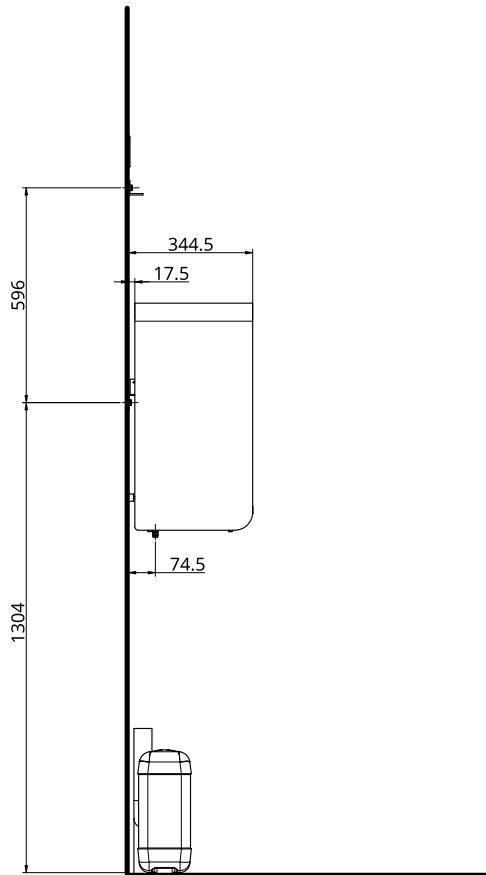
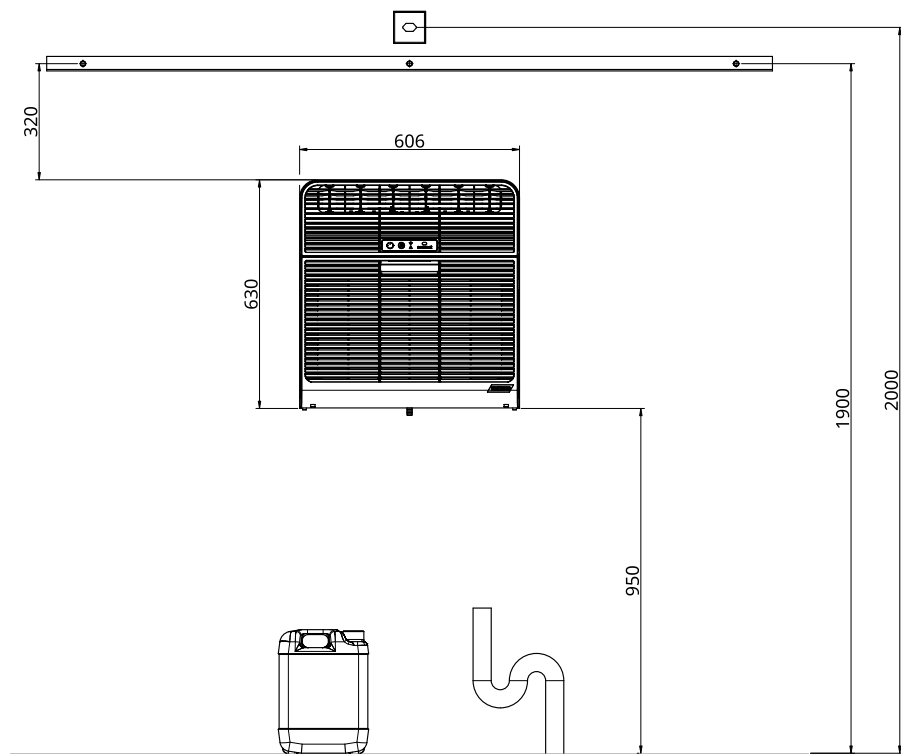


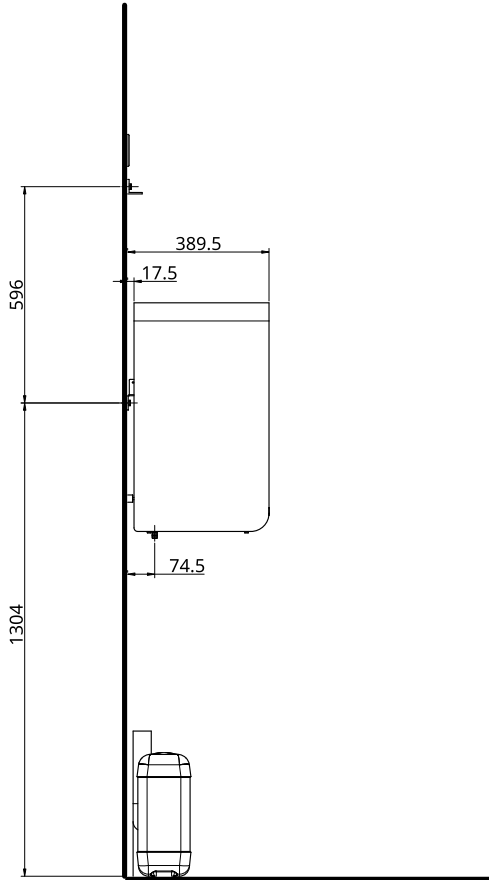
Montage / Montaggio / Mounting secomat 2/4





Montage / Montaggio / Mounting secomat 6/8



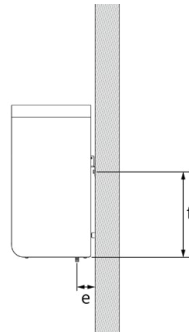
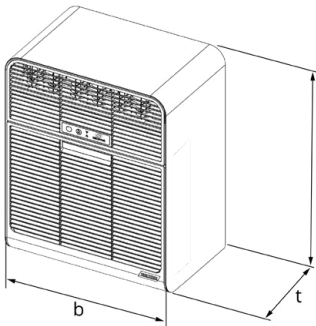


Installation / Installazione

secomat 2/4/6/8

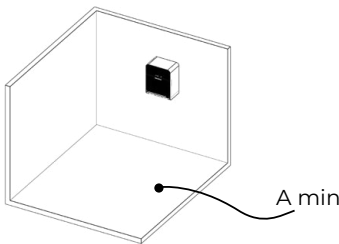


i

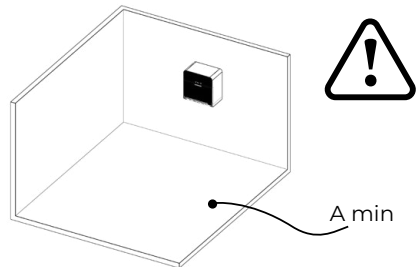


	b [mm]	t [mm]	h [mm]	e [mm]	f [mm]	m [kg]
secomat 2	512	327	630	74.5	354	xyz
secomat 4	512	327	630	74.5	354	xyz
secomat 6	606	372	630	74.5	354	xyz
secomat 8	606	372	630	74.5	354	xyz

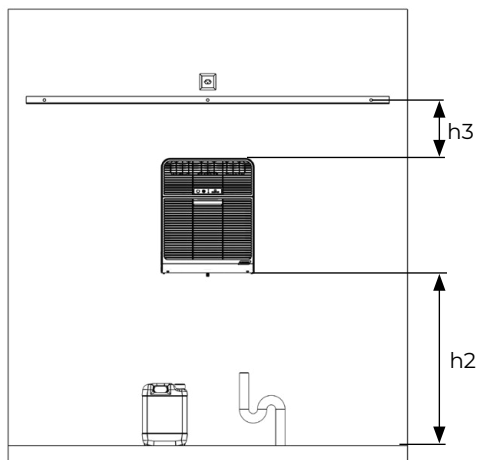
i



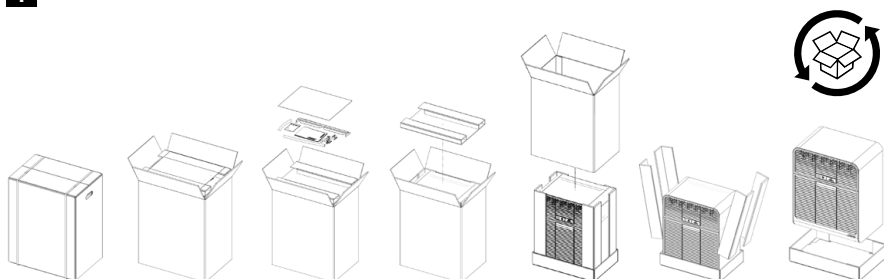
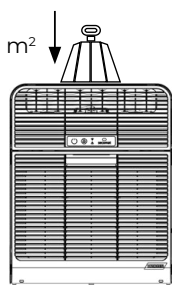
	A min [m ²]
secomat 2	6.00
secomat 4	6.00



	A min [m ²]
secomat 6	12.00
secomat 8	12.00

i

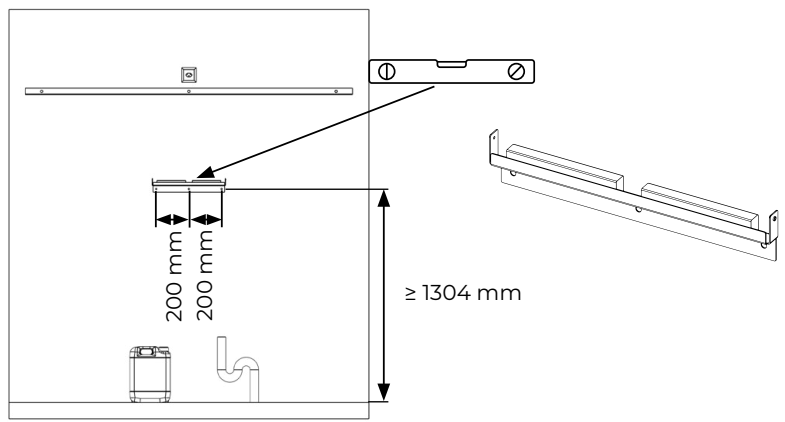
	h2 [mm]	h3 [mm]
secomat 2	≥ 950	ca. 320
secomat 4	≥ 950	ca. 320
secomat 6	≥ 950	ca. 320
secomat 8	≥ 950	ca. 320

i**i**

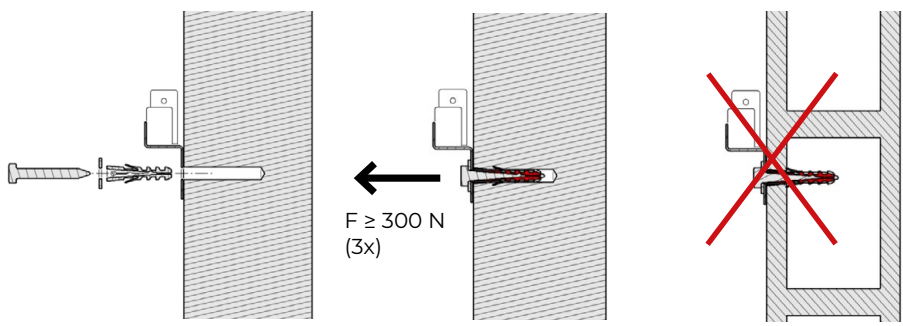
	m ² [kg]
secomat 2	0.00
secomat 4	0.00
secomat 6	0.00
secomat 8	0.00



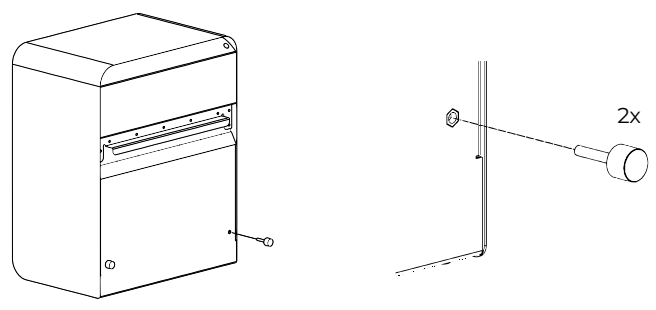
1



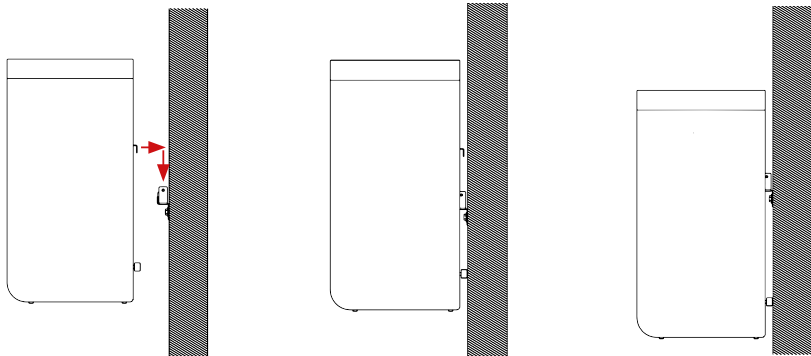
2



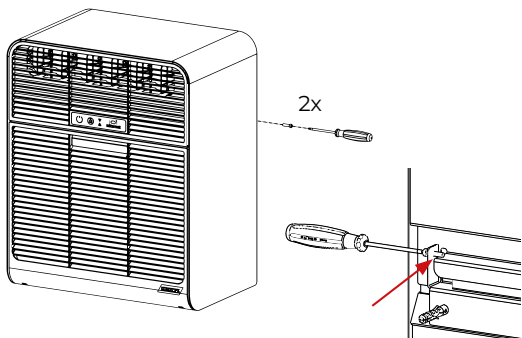
3



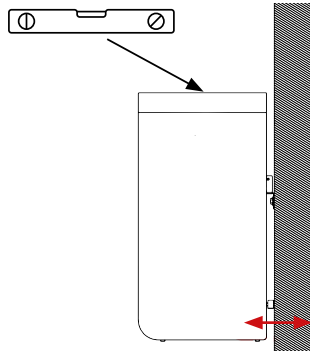
4



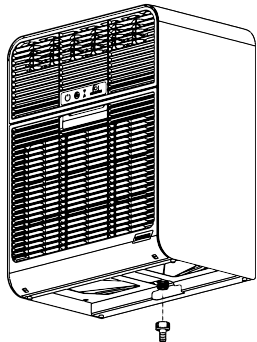
5



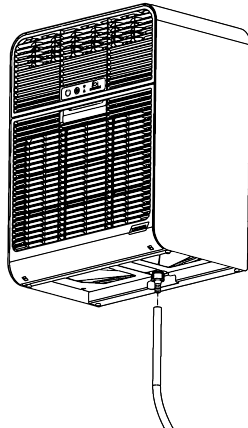
6



7



8



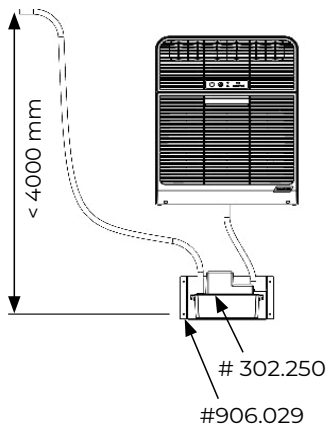
9a



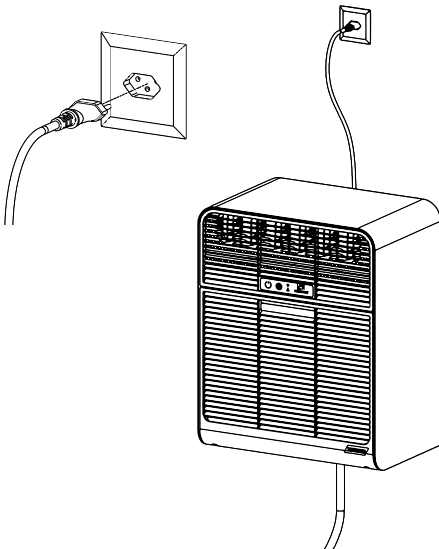
9b



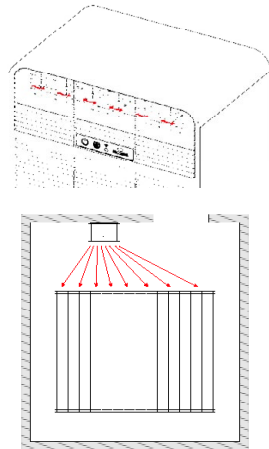
9c



10



11



KRÜGER + CO. AG

Winterhaldenstrasse 11 | 9113 Degersheim | T 0848 370 370 | info@krueger.ch | krueger.ch

BAU- UND NOTHEIZUNGEN | BE- UND ENTFEUCHTEN | KLIMATISIEREN | WASSERSCHADEN