

AIRGOCLEAN® ONE

EN

ORIGINAL INSTRUCTIONS
AIR CLEANER



Table of contents

Notes regarding the instructions 2

Safety 2

Information about the device 4

Transport and storage 6

Assembly and start-up 6

Operation 7

Errors and faults 18

Maintenance 19

Disposal 23

Technical annex 23

Declaration of conformity 30

Notes regarding the instructions

Symbols



Warning of electrical voltage

This symbol indicates dangers to the life and health of persons due to electrical voltage.



Warning

This signal word indicates a hazard with an average risk level which, if not avoided, can result in serious injury or death.



Caution

This signal word indicates a hazard with a low risk level which, if not avoided, can result in minor or moderate injury.

Note

This signal word indicates important information (e.g. material damage), but does not indicate hazards.



Info

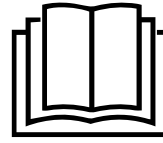
Information marked with this symbol helps you to carry out your tasks quickly and safely.



Follow the manual

Information marked with this symbol indicates that the instructions must be observed.

You can download the current version of the instructions and the EU declaration of conformity via the following link:



AirgoClean® One



<https://hub.trotec.com/?id=44900>

Safety

Read this manual carefully before starting or using the device. Always store the manual in the immediate vicinity of the device or its site of use.



Warning

Read all safety warnings and all instructions.

Failure to follow the warnings and instructions may result in electric shock, fire and/or serious injury.

Save all warnings and instructions for future reference.

This appliance can be used by children aged from 8 years and above and persons with reduced physical, sensory or mental capabilities or lack of experience and knowledge if they have been given supervision or instruction concerning use of the appliance in a safe way and understand the hazards involved.

Children shall not play with the appliance. Cleaning and user maintenance shall not be made by children without supervision.

- Do not use the device in potentially explosive rooms or areas and do not install it there.
- Do not use the device in aggressive atmosphere.
- Only put up the device in an upright, stable position on firm ground.
- Let the device dry out after a wet clean. Do not operate it when wet.
- Do not use the device with wet or damp hands.
- Do not expose the device to directly squirting water.
- Do not expose the device to liquids as it is not protected against splash water.
- Never insert any objects or limbs into the device.
- Do not cover the device during operation.
- Do not sit on the device.
- This appliance is not a toy. Keep away from children and animals.
- Check accessories and connection parts for possible damage prior to every use of the device. Do not use any defective devices or device parts.

- Ensure that all electric cables outside of the device are protected from damage (e.g. caused by animals). Never use the device if electric cables or the power connection are damaged!
- The mains connection must correspond to the specifications in the Technical annex.
- Insert the mains plug into a properly fused mains socket.
- Observe the technical data when selecting extensions to the power cable. Completely unroll the extension cable. Avoid electrical overload.
- Before carrying out maintenance, care or repair work on the device, remove the mains plug from the mains socket. Hold onto the mains plug while doing so.
- Switch the device off and disconnect the power cable from the mains socket when the device is not in use.
- Check the power cable and mains plug for damage. If you notice damages, do not try to take the device back into operation. Order a new power cable with mains plug from Trotec and replace the defective power cable with mains plug with the new one.
Defective power cables pose a serious health risk!
- When positioning the device, observe the minimum distances from walls and other objects as well as the storage and operating conditions specified in the Technical annex.
- Make sure that at least two sides of the air inlet and air outlet are clear.
- Make sure that there are no loose items or dirt located in the immediate surroundings of air inlet and air outlet.
- Do not remove any safety signs, stickers or labels from the device. Keep all safety signs, stickers and labels in legible condition.
- Make sure that the suction side is kept free of dirt and loose objects.
- Dispose of replaced filters properly, especially after filtering substances hazardous to health.
- Never use the device as storage place or footstep.
- Do not use the automatic mode if the device is used for virus filtration.
- The indicated measured values are considered indicators and not guaranteed measured values.
- Only use filters and accessory recommended by Trotec for the AirgoClean One.
- Use the CR 2025 button battery type.
- Do not insert rechargeable batteries into the remote control.
- Never charge batteries that cannot be recharged.
- Different types of batteries and new and used batteries must not be used together.
- Insert the batteries into the battery compartment according to the correct polarity.
- Remove discharged batteries from the device. Batteries contain materials hazardous to the environment. Dispose of the batteries according to the national regulations.
- Remove the batteries from the remote control if you will not be using the device for a longer period of time.
- Never short-circuit the supply terminal in the battery compartment!
- Do not swallow batteries! If a battery is swallowed, it can cause severe internal burns within 2 hours! These burns can lead to death!
- If you think batteries might have been swallowed or otherwise entered the body, seek medical attention immediately!
- Keep new and used batteries and an open battery compartment away from children.
- If the battery compartment does not close securely, stop using the product via the remote control.

Intended use

Use the device for cleaning the air in interior spaces only whilst adhering to the technical data and safety instructions.

The device filters dust, animal hair, viruses and microfibrils of paper and textiles in offices, in waiting or staff rooms and in living spaces.

Foreseeable misuse

- Do not place the device on wet or flooded ground.
- Do not place any objects, e.g. clothing, on the device.
- Do not use the device out of doors.
- Do not use the device in bathrooms and rooms with a high humidity level.
- Do not use the device in rooms where large amounts of dust are produced, e.g. in production halls, workshops or on construction sites.
- Moreover, the integrated filter system is not suited for removing dusts that are potentially harmful to health (e.g. pollutants) from the air.
- Any use other than the intended use is regarded as a reasonably foreseeable misuse.
- Any unauthorised modifications, alterations or structural changes to the device are forbidden.

Personnel qualifications

People who use this device must:

- be aware of the dangers that occur when working with electrically driven air cleaners.
- have read and understood the instructions, especially the Safety chapter.

Residual risks



Warning of electrical voltage

Work on the electrical components must only be carried out by an authorised specialist company!



Warning of electrical voltage

Before any work on the device, remove the mains plug from the mains socket!

Do not touch the mains plug with wet or damp hands. Hold onto the mains plug while pulling the power cable out of the mains socket.



Warning

Dangers can occur at the device when it is used by untrained people in an unprofessional or improper way! Observe the personnel qualifications!



Warning

The device is not a toy and does not belong in the hands of children.



Warning

Risk of suffocation!
Do not leave the packaging lying around. Children may use it as a dangerous toy.

Note

Do not operate the device without an air filter inserted into the air inlet!

Without the air filter, the inside of the device will be heavily contaminated. This could reduce the performance and result in damage to the device.

Note

Do not use abrasive cleaners or solvents to clean the device.

Behaviour in the event of an emergency

1. Switch the device off.
2. Disconnect the device from the mains feed-in: Hold onto the mains plug while pulling the power cable out of the mains socket.
3. Do not reconnect a defective device to the mains.

Information about the device

Device description

The device serves to filter the room air with the aim of reducing slight and medium contaminations and odours in order to improve the air quality. It is equipped with a powerful fan sucking in the air in the lower area from all sides. The air flows through the filter and is cleaned. Afterwards the fan releases the clean air back into the room.

The device is equipped with a prefilter with filter fleece, a HEPA filter and a silencer.

The device uses a HEPA filter to remove bacteria, viruses, pollen, dust mite residue, mould fungus spores and other allergens from the air. The prefilter (made of synthetic fibre) filters out large dust particles before the air flows into the HEPA filter. The silencer provides for a pleasant background noise.

The optional activated carbon filter removes odours from the air.

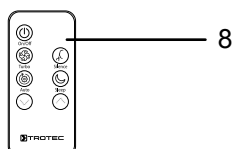
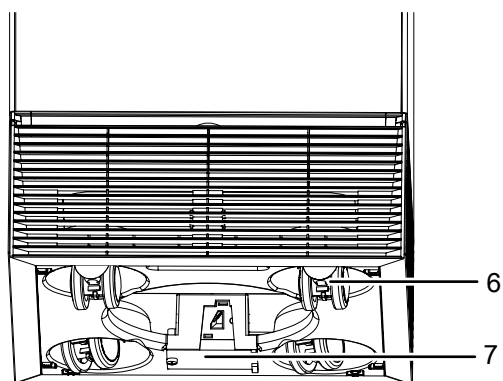
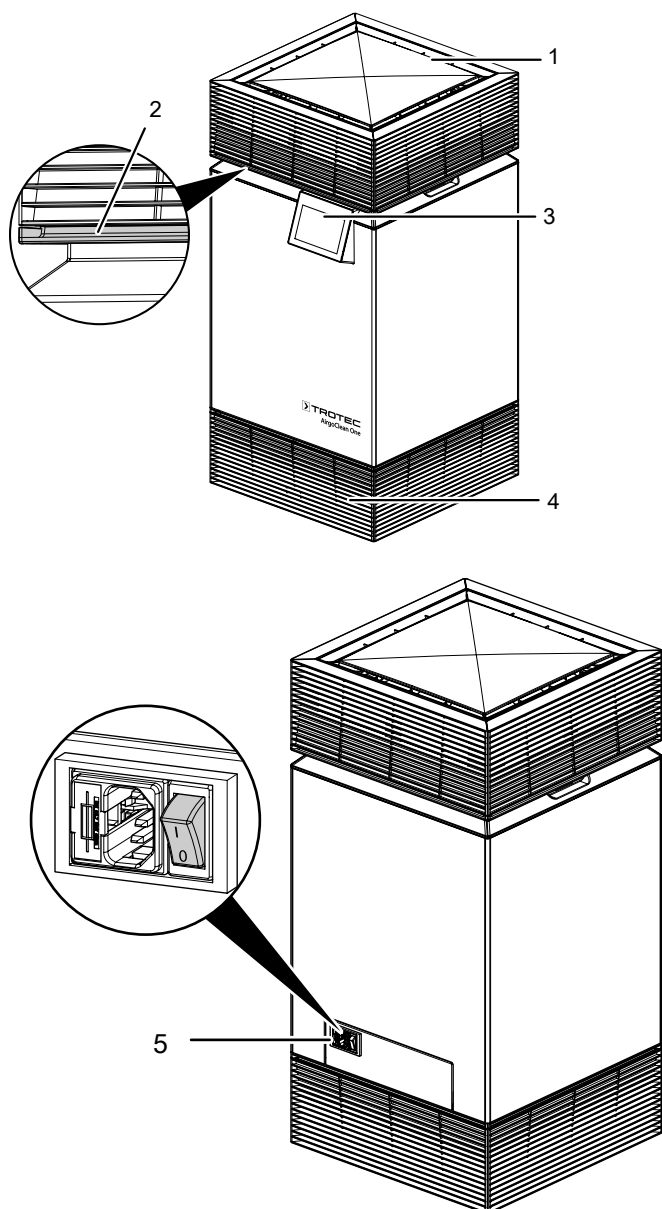
The six-stage fan (incl. turbo mode) and the uncomplicated, quick filter change ensure easy operation.

Thanks to its compact dimensions the device can be transported conveniently, and owing to its low-noise operation it can be used indoors.

The device comes with a control panel and a remote control.

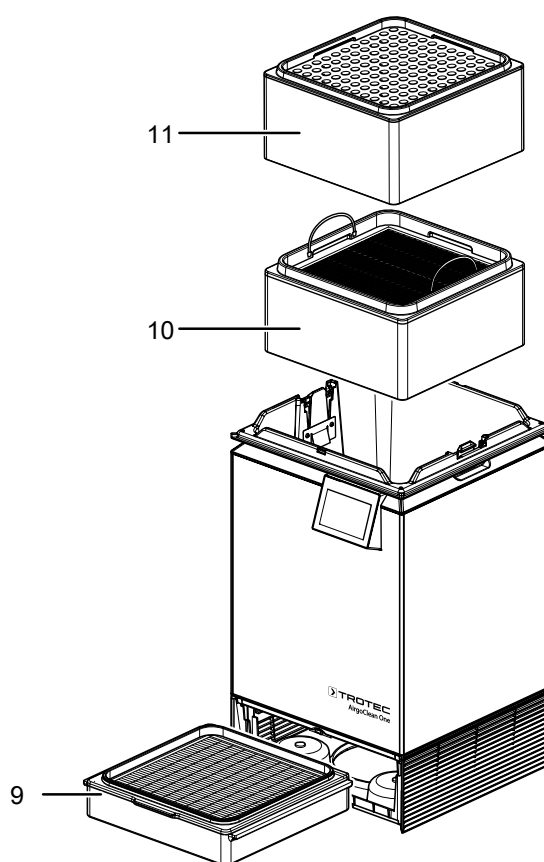
The device can also be controlled via Bluetooth from a mobile phone or tablet via the Trotec Control App.

Device depiction



No.	Designation
1	Top section with air outlet
2	Handle strip
3	Control panel
4	Air inlet with cover
5	Mains plug with mains switch
6	Wheels
7	Box with air quality sensors
8	Remote control

Standard configuration



No.	Designation
9	Prefilter with filter class ePM 10 85 % (F7) and coarse dust fleece
10	HEPA filter H14 complying with EN 1822
11	Silencer

If an activated carbon filter (optional) is inserted, please note the configuration that applies:

No.	Designation
9	Prefilter with filter class ePM 10 85 % (F7) and coarse dust fleece
10	Activated carbon filter (optional)
11	HEPA filter H14 complying with EN 1822

Transport and storage

Note

If you store or transport the device improperly, the device may be damaged.

Note the information regarding transport and storage of the device.

Transport

To make the device easier to transport, it is fitted with a handle strip.

To make the device easier to transport, it is fitted with wheels.

Before transporting the device, observe the following:

- Switch the device off.
- Hold onto the mains plug while pulling the power cable out of the mains socket.
- Do not use the power cable to drag the device.
- Only wheel the device on firm and level surfaces.

After transporting the device, proceed as follows:

- Set up the device in an upright position after transport.

Storage

When the device is not being used, observe the following storage conditions:

- Store the device in a dry location and protected from frost and heat.
- Store the appliance in an upright position where it is protected from dust and direct sunlight.
- If required, use a cover to protect the device from invasive dust.
- Remove the batteries from the remote control.

Assembly and start-up

Scope of delivery

- 1 x device
- 1 x HEPA filter
- 1 x Prefilter with filter fleece
- 1 x Silencer
- 1 x Remote control with batteries
- 1 x Power cable
- 1 x manual

Unpacking the device

1. Open the cardboard box and take the device out.
2. Completely remove the packaging.
3. Fully unwind the power cable. Make sure that the power cable is not damaged and that you do not damage it during unwinding.

Start-up

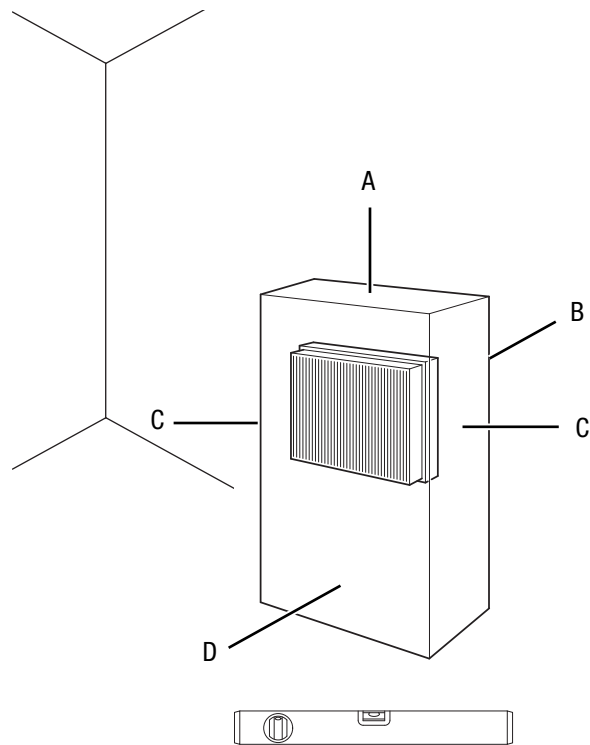
Prefilter, HEPA filter and silencer are already built into the device.

Note

Remove any packaging material from the prefilter, HEPA filter and silencer. To do so, please proceed as described in the *Maintenance* chapter under Replacing the HEPA filter and prefilter.

Remove the films from the housing and the display.

When positioning the device, observe the minimum distance from walls or other objects as described in the chapter Technical annex.



- Before restarting the device, check the condition of the power cable. If there are doubts as to the sound condition, contact the customer service.
- Only put up the device in an upright, stable position on firm ground.
- Do not create tripping hazards when laying the power cable or other electric cables, especially when positioning the device in the middle of the room. Use cable bridges.
- Make sure that extension cables are completely unrolled.
- Position the device near the source of air contamination.
- When positioning the device, keep a sufficient distance to heat sources.
- Make sure that no curtains or other objects interfere with the air flow.
- Make sure that at least two sides of the air inlet and air outlet are clear.

Connecting the power cable

- Plug the power cable into the device.
- Insert the mains plug into a properly fused mains socket.

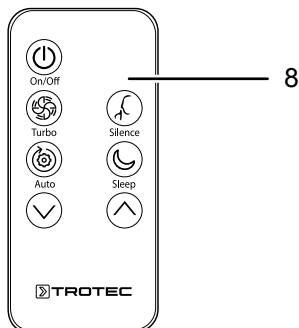
Operation

Note

Avoid open doors and windows.

All settings of the device can also be made using the control panel or the remote control included in the scope of delivery. Furthermore, you can control the air cleaner via Bluetooth using our Trotec Control app with a smartphone or tablet.

Remote control



Symbol	Designation	Meaning
	Standby symbol	Switch standby mode on and off
	Turbo symbol	Switch on turbo mode (fan level VI)
	Auto symbol	Switch on automatic mode
	Decrease symbol	Decrease fan level
	Increase symbol	Increase fan level
	Sleep mode symbol	Switch sleep mode on and off
	Silence symbol	Mute the device

Note

If the device is in lock mode, it cannot be controlled via the remote control.

Inserting batteries into the remote control



Warning of electrical voltage

Do not touch the battery compartment with wet or damp hands.

Note

Do not use rechargeable batteries! Observe the Technical data for start-up.

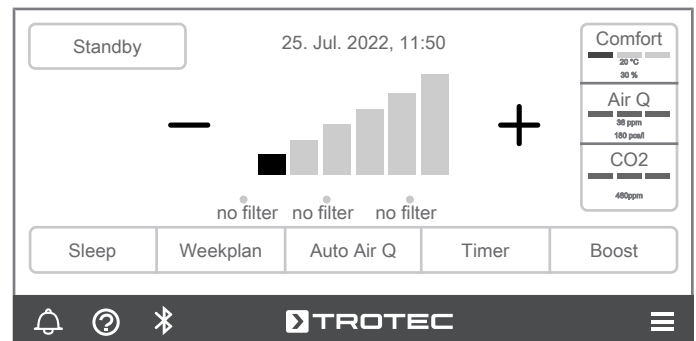
1. Press the locking at the side of the battery compartment together and pull the battery compartment out of the remote control.
2. Insert a type CR 2025 battery into the battery compartment and slide the battery compartment back into the remote control.

Switching the device on

Once you have completely installed the device as described in the Start-up chapter, you can switch it on.

Please proceed as follows to switch the device on:

1. Set the mains switch (5) to position I.
 - ⇒ The control panel lights up.
 - ⇒ The main view appears.
 - ⇒ The device can now be used.



Info

Select the symbol in the main view to display all current and past settings and warnings. When the "Status Filter" designation appears, this means that the filter is working in normal operation.



Info

Select the symbol in the main view to display the manufacturer data which you can use to contact the customer service.

Basic settings

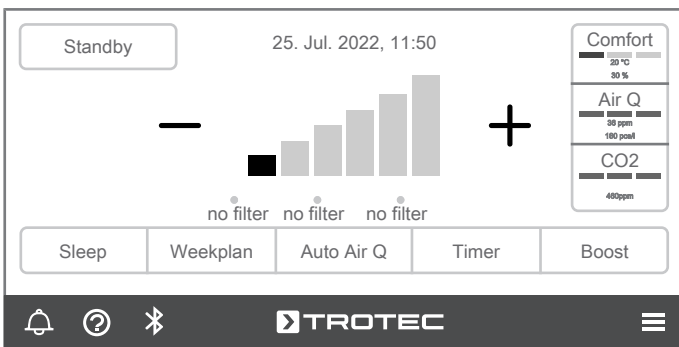


Info

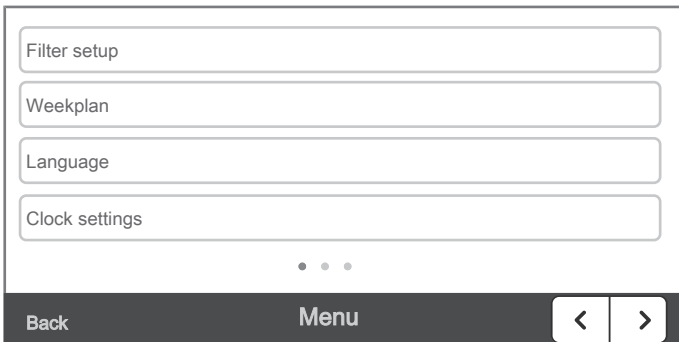
Some inputs must be activated by pressing the *Save* or *Back* button. When using the *Back* button, the settings are only saved if the *Save* button is not available. The display will be dimmed if it is not actuated for a certain time. This function can be deactivated in the *Settings* menu. When you touch the display again, the last selected display is indicated. Settings that have been made but not confirmed with *Save* or *Back* are **not** saved.

Please proceed as follows to set the language, day and time:

1. Select the symbol (*More*) in the main view.



⇒ The display changes to the *Menu*.



2. Press the *Language* button.

⇒ The display changes to the *Language* menu.
 ⇒ A language is already preselected.



3. Press the respective button for the desired language to select it.

⇒ You can select the languages German, English, French, Spanish or Italian.



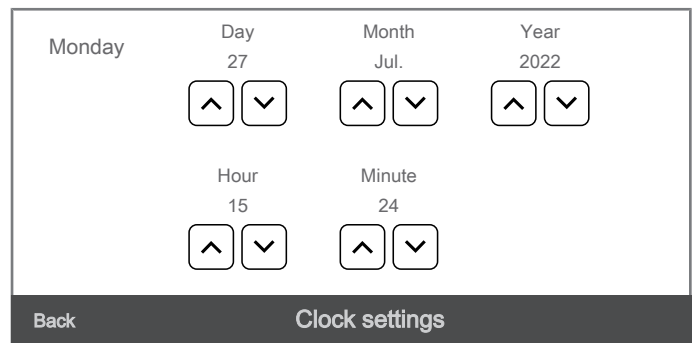
4. Press the *Save* button to save the setting.

⇒ The display changes to the *Menu*.



5. Press the *Clock Settings* button.

⇒ The display changes to the *Clock Settings* menu.



6. Press the symbol (*decrease value*) or the symbol (*increase value*) to set the day, month, year, hour and minute.

7. Press the *Save* button.

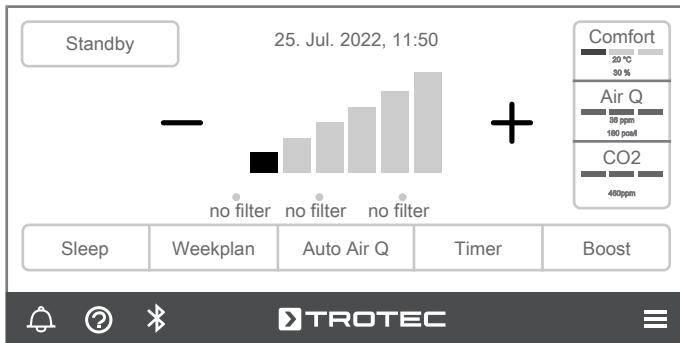
⇒ The basic settings have now been made.

Filter menu

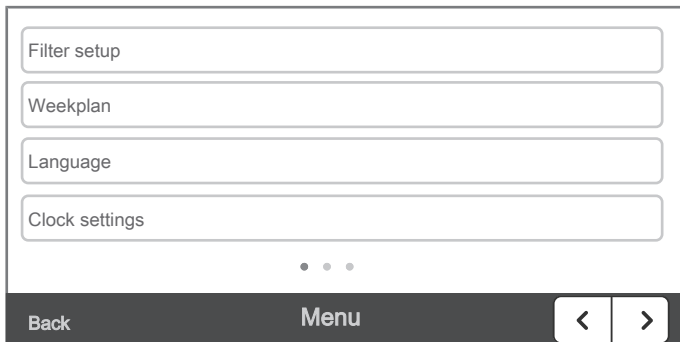
You have to reset the respective filters after a filter change. When changing the standard configuration, it is also required to adjust the filter types.

To do so, please proceed as follows:

1. Select the symbol (*More*) in the main view.

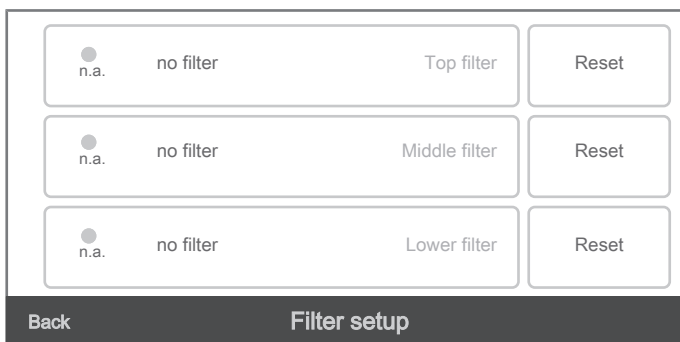


⇒ The display changes to the Menu.



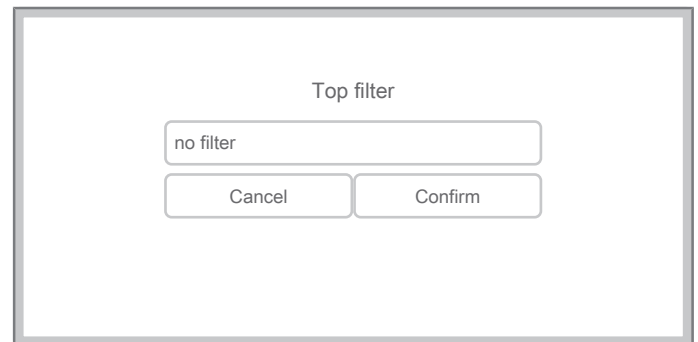
2. Press the *Filter setup* button.

⇒ The display changes to the *Filter setup* menu.



3. Press the *Top Filter* button.

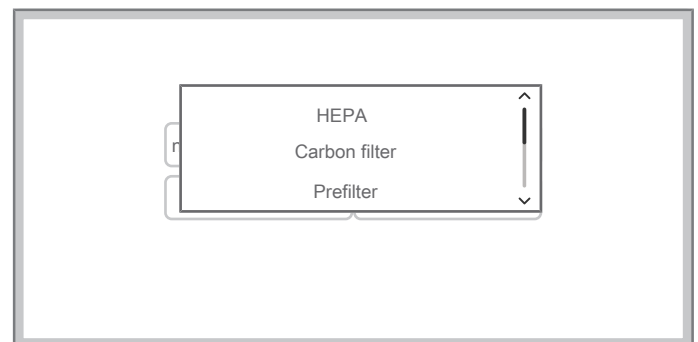
⇒ The display changes to the *Top Filter* menu.



4. Press the *No filter* button.

⇒ A window appears on the display.

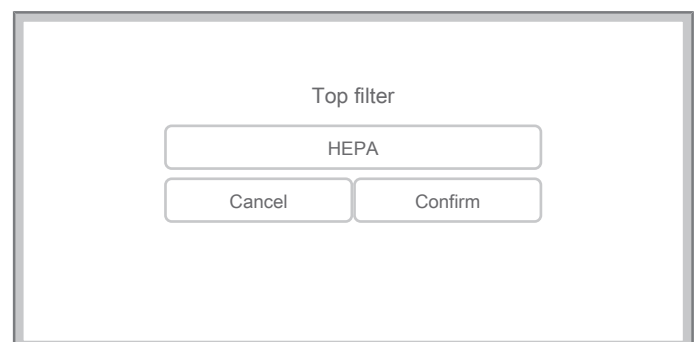
⇒ You can select the HEPA filter, activated carbon filter or no filter for the upper filter.



5. Press the respective button to select the desired filter.

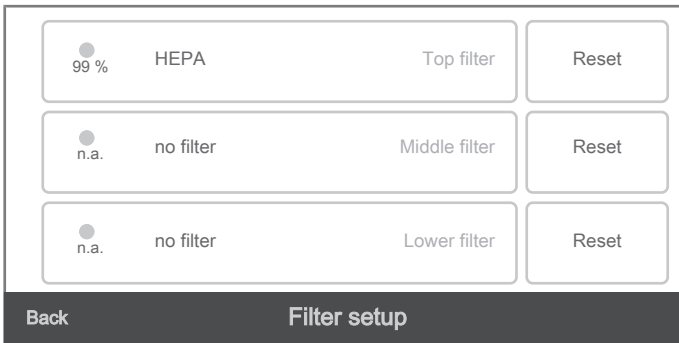
⇒ Press the *No filter* button if you are using the silencer supplied or if no filter is inserted.

⇒ According to the selected filter, the display changes to the following submenu.



6. Press the *Confirm* button to save the setting or the *Cancel* button if you do not want to apply the setting.

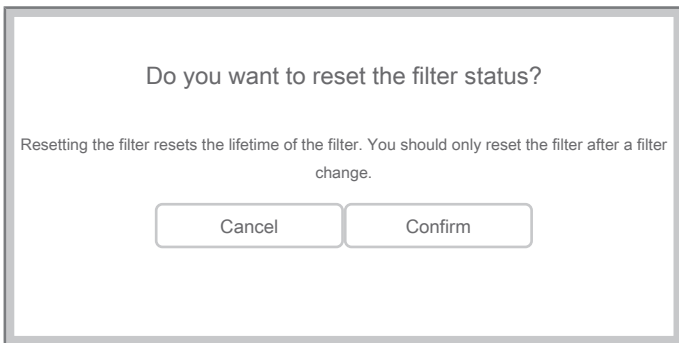
⇒ The selected filter is indicated on the *Filter setup* screen.



⇒ After a few minutes, the filter lifetime (operating time of the filter) is updated. The dot and the indicated percentage next to the filter indicate the state of the filter. If the dot lights up in red, the filter must be changed (see also Maintenance chapter, section "Replacing the HEPA filter, activated carbon filter or prefilter").

7. Press the *Reset* button to reset the filter.

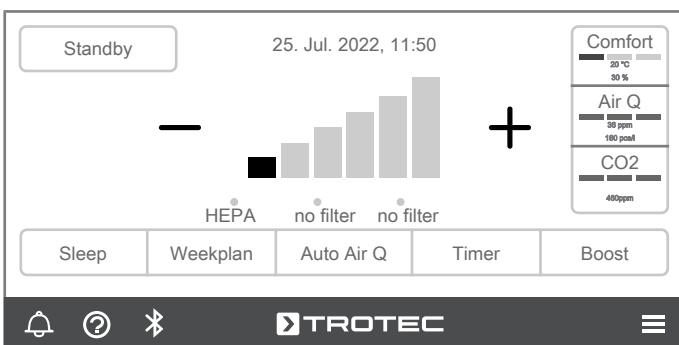
⇒ The display changes to the following submenu.



8. Press the *Confirm* button if you want to reset the filter or press the *Cancel* button to cancel the operation.

⇒ The selected filter is indicated in the main view.

⇒ Repeat steps 2 to 8 for each filter.



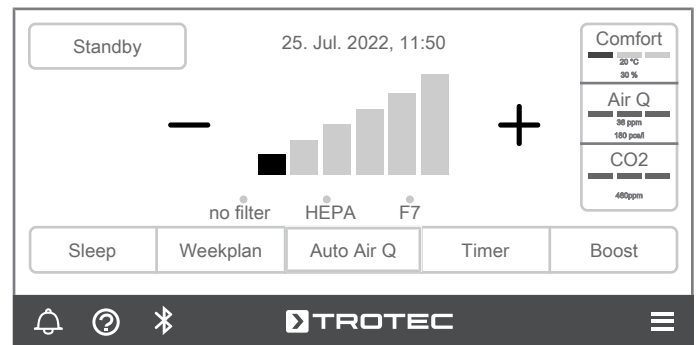
Info

The condition of the filters is monitored for all three filter compartments. The condition monitoring does not simply work hypothetically, based on time for instance, but it records the actual filter status based on the fan stage, the particle load in the room air, the humidity and the VOC content (with inserted activated carbon filter). The intelligent filter lifetime monitor informs you precisely when a filter change is necessary.



Info

The standard configuration of the filters is as follows: no upper filter (but a silencer) is inserted, the HEPA filter is inserted as the middle filter and the prefilter as the lower filter. This configuration is already set upon delivery. You therefore do not need to define or reset the filters.



Setting the operating mode

The device has the following operating modes:

- Automatic mode
- Sleep mode

Automatic mode



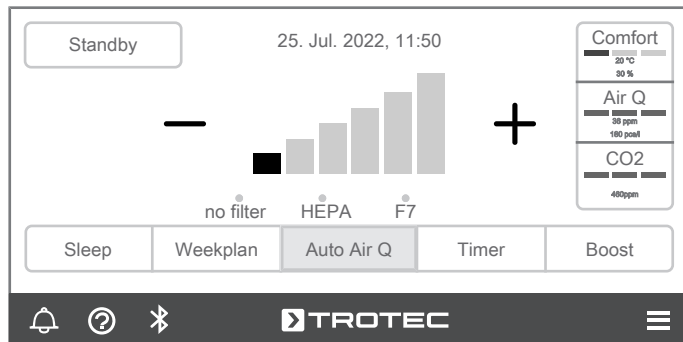
Info

Do not use the automatic mode if the device is used for virus filtration. The integrated sensors only respond to air pollution caused by fine particulates, pollen or VOC. The device cannot determine the virus load. It is possible that the automatic mode indicates a "good" air quality even though the virus load in the room is very high. For this reason we recommend using the fan level requested by the respective specifications with regard to the circulation rate (air volume) when the device is used for virus filtration in order to reduce the risk of indirect infections.

In automatic mode, the device regulates the fan speed fully automatically depending on the air quality to remove suspended particles from the room air within a very short time.

Please proceed as follows to set the automatic mode:

- ✓ The device is switched on.
- 1. Press the *Auto Air Q* button in the main view.
 - ⇒ The selected button is highlighted in grey.



- ⇒ The fan level is automatically adjusted.
- ⇒ The display indicates the temperature and humidity on the right below *Comfort*. Below *Air Q*, the number of particles in the air is displayed as well as the number of volatile organic components in the air (VOC). The current *CO₂* content in the air is indicated below *CO₂*.
- ⇒ The bars below *Comfort*, *Air Q* and *CO₂* show in colour whether the values are to be classified as good (green), medium (yellow) or poor (red).

Air quality: gaseous pollutants (VOC)



Info

In the standard configuration without activated carbon filter, the automatic mode only takes the particle load in the room air into account. If an activated carbon filter (optional) is inserted, the particle count and the VOC content in the air are taken into account in automatic mode.

Important: Correctly enter the filter types used in the filter menu. If, for example, an activated carbon filter is used instead of the silencer, this must be selected in the filter menu under "Type".

VOC are substances, that evaporate already at low temperatures – hence "volatilize" into the gaseous state – and thus pollute the air. Which is why they are referred to as volatile organic compounds. Manifold VOC sources can be found indoors, e.g. flooring and floor coating, paints and varnishes, sealings and adhesives, furniture and carpets. People can be taken chronically ill by VOC-polluted indoor air.

Air quality particle count per minute (fine dust value)

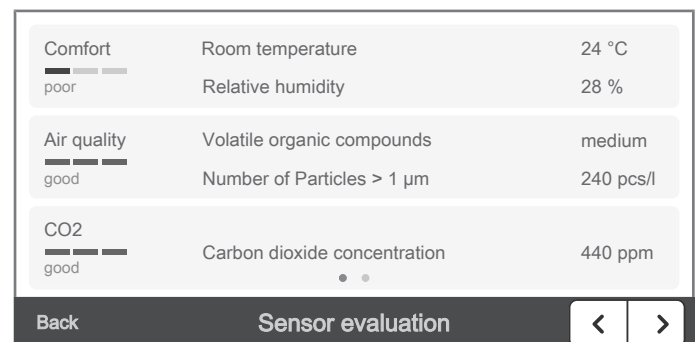
Particulate matter is considered to be a serious contributor to respiratory problems, the increase in asthma attacks as well as lung cancer. For a long time, the outdoor pollution has been the focus of public attention – even if the fine particulate burden inside rooms is often higher than on the street. At home, cooking, frying and vacuum-cleaning as well as the use of laser printers and photocopiers, open fireplaces and pellet heating systems contribute to the air pollution. At the workplace, too, laser printers and photocopiers are used every day. It goes without saying that in the craft sector, hazards arising from particulate matter are almost omnipresent.

Air quality history view

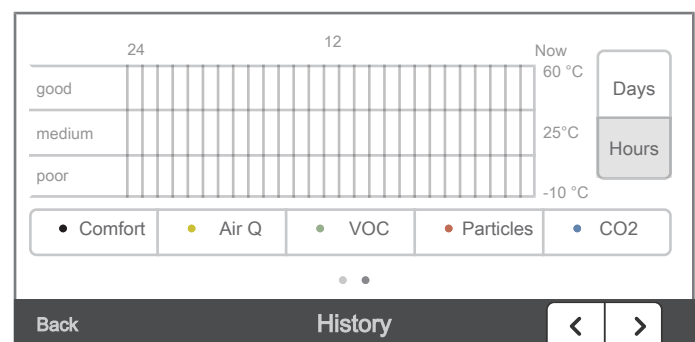
You can view the air quality history displayed in a 24-hour rhythm or in a 14-day rhythm.

To do so, please proceed as follows:

1. Press the *Comfort / Air Q / CO₂* button to view more detailed history values.
 - ⇒ The display changes to the *Sensor evaluation* menu.
 - ⇒ The currently measured values are displayed on the screen.

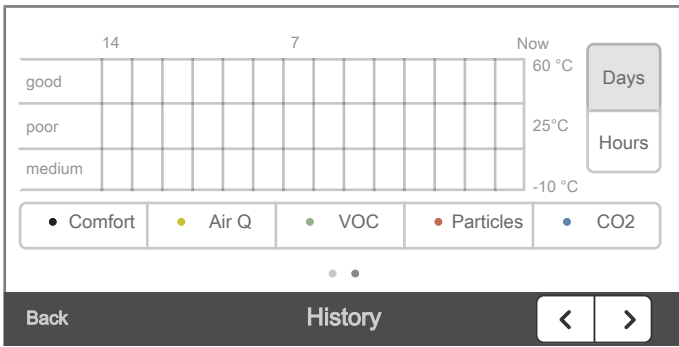


2. Press the symbol (forward/back).
 - ⇒ The display indicates the history.
3. If you press the *Hours* button, the hour overview is selected.
 - ⇒ The selected button is highlighted in grey. One of the two buttons *Hours* or *Days* is always activated.

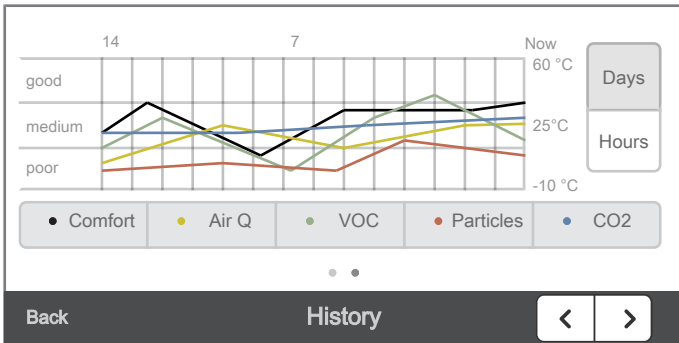


4. If you press the *Days* button, the day view is selected.

⇒ The selected button is highlighted in grey.



5. Press the *Comfort*, *Air Q*, *VOC*, *Particles* and/or *CO2* button to view the respective day or hour history.
 - ⇒ The different day or hour curves are differentiated by colour (*Comfort* = black, *Air Q* = yellow, *VOC* = green, *Particles* = red or *CO2* = blue).
 - ⇒ The selected buttons are highlighted in grey.



Info

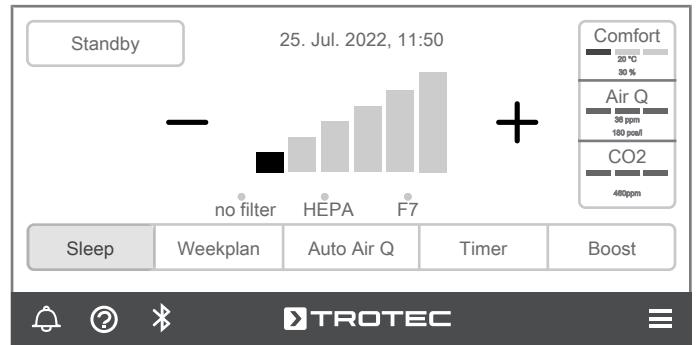
The history view helps you monitor the performance of the air cleaner. After some time, the values in the “Comfort” indication (room temperature and relative humidity), the air quality, the number of particles and the VOC value (when using an activated carbon filter (optional)) are likely to improve. If this is not the case, change the fan stage or the place of installation.

Sleep mode

In sleep mode, the device generates an air current that is adapted to your sleep habits. The display illumination is dimmed and the air flow rate is set to the lowest blower level.

Proceed as follows to switch on the sleep mode:

1. Press the *Sleep* button in the main view.
 - ⇒ The selected button is highlighted in grey.



2. Press the *Sleep* button again to switch the sleep mode off again.



Info

In the settings, you can activate the sleep mode for a certain time period under *Adjust Sleep Mode Duration*.

Turbo mode

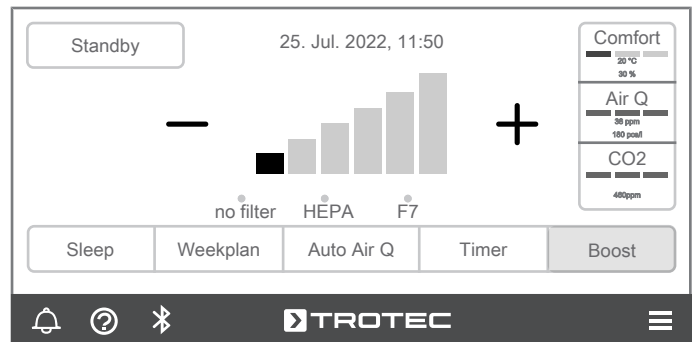


Info

If a sudden pollution of the air in the interior space takes place, the turbo mode can help to quickly improve the air in the interior space.

Please proceed as follows to set the turbo mode:

- ✓ The device is switched on.
1. Press the *Boost* button in the main view to activate the turbo mode.
 - ⇒ The selected button is highlighted in grey.
 - ⇒ The device operates at the highest fan level.



2. Press the *Boost* button again to switch the turbo mode off again.

Setting the timer

You can activate the automatic switch-on and switch-off function for a specific time period.

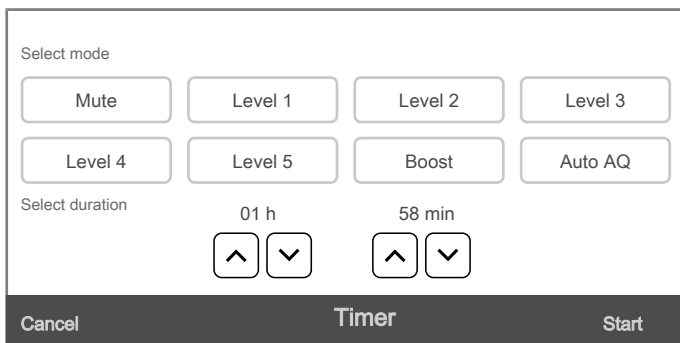
The number of hours can be set to 1 min to 24 h in increments of 1 h and 1 min.

A weekplan can also be used to set the respective switch-on and switch-off times for each individual day of the week, either separately or for all days together.

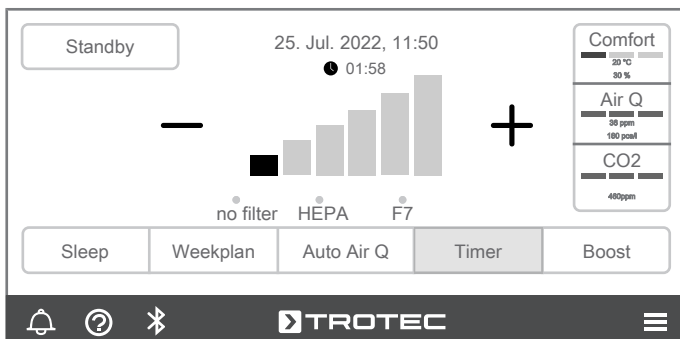
Automatic switch-on/switch-off

✓ The device is switched on.

1. Press the *Timer* button in the main view.
⇒ The display changes to the *Timer* menu.



2. Press the *Mute*, *Level 1* to *Level 5*, *Boost* or *Auto AQ* button to activate the respective function.
⇒ The selected button is highlighted in grey.
3. Press the symbol and/or the symbol to enter the number of hours and/or minutes for which the respective function is to be activated.
4. Press the *Start* button to start the function.
⇒ The display changes to the main view.
⇒ The selected *Timer* button is highlighted in grey.
⇒ The activated number of hours of the respective function is indicated on the screen and counted down. A clock symbol appears to the left of the countdown.

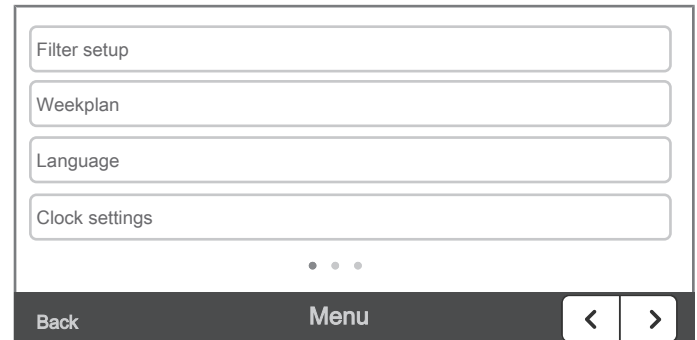


5. Press the *Timer* button again to deactivate the timer.

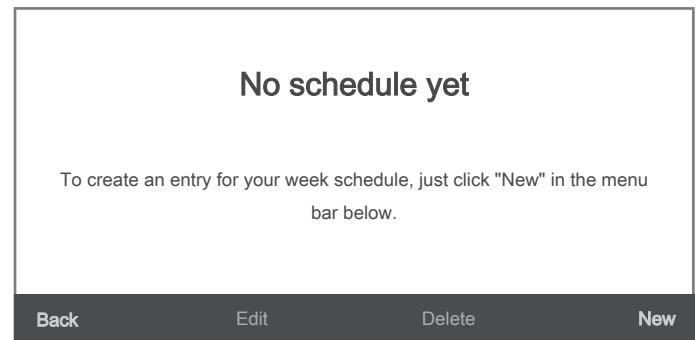
Setting a weekplan

Please proceed as follows to set a weekplan:

1. Select the symbol (*More*) in the main view.
⇒ The display changes to the Menu.



2. Press the *Weekplan* button.
⇒ The display changes to the *Weekplan* menu.

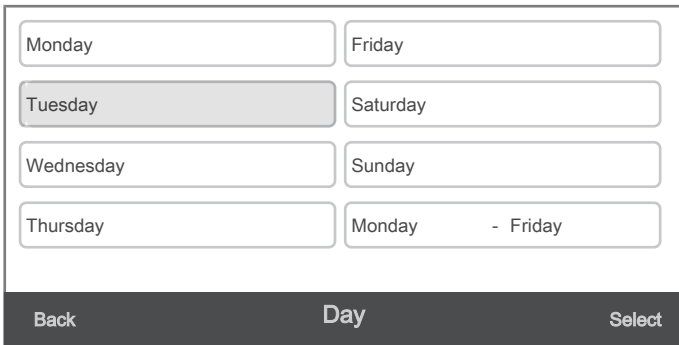


3. Press the *New* button to create a new weekplan.
⇒ The display changes to the *Switching time* menu.



4. Press the *Weekday* button.
⇒ The display changes to the *Day* menu.

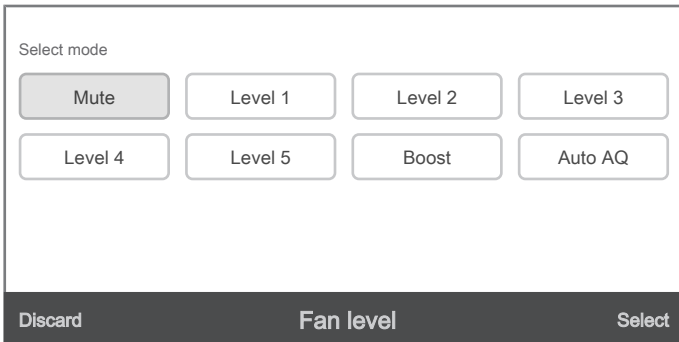
- Press the desired day of the week to activate it.
⇒ The selected button is highlighted in grey.



- Press the *Select* button to confirm the entry.
⇒ The display changes to the *Switching time* menu again.



- Press the *Fan Level* button to set the fan level.
⇒ The display changes to the *Fan Level* menu.
- Press the fan level buttons (level 1 to level 5) or the *Mute*, *Boost* or *Auto AQ* buttons.
⇒ The selected button is highlighted in grey.

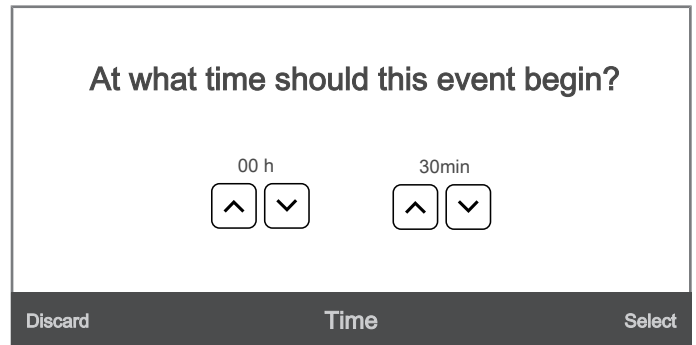


- Press the *Select* button to confirm the entry.

⇒ The display changes to the *Switching time* menu again.



- Press the *Time* button on the display.
⇒ The display for entering the hours appears.



- Press the symbol and/or the symbol to enter the minutes and hours.
- Press the *Select* button to confirm the entry.
- The activated fan level or the functions *Mute*, *Boost* (turbo mode) and/or *Auto AQ* start after the specified time.
⇒ The activated number of hours of the respective function is indicated on the screen and counted down.

Adjusting the display brightness

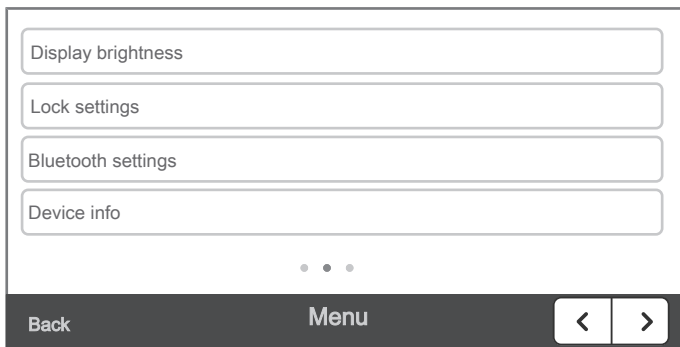
You can adjust the brightness of the display. To do so, please proceed as follows:

- Select the symbol (*More*) in the main view.
⇒ The display changes to the Menu.

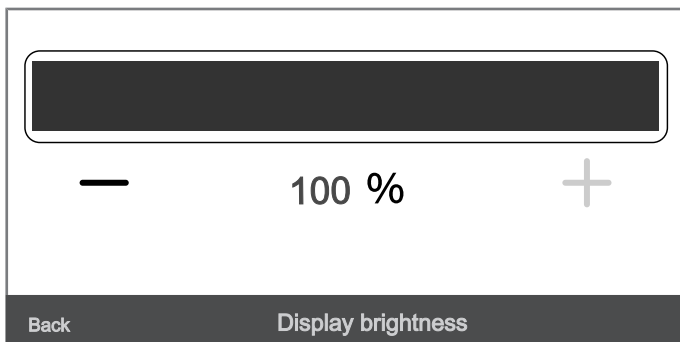


- Press the symbol (forward/back).

3. Press the *Display brightness* button.



⇒ The display changes to the *Display brightness* menu.



4. Press the - or + buttons to adjust the percentage of the display brightness.

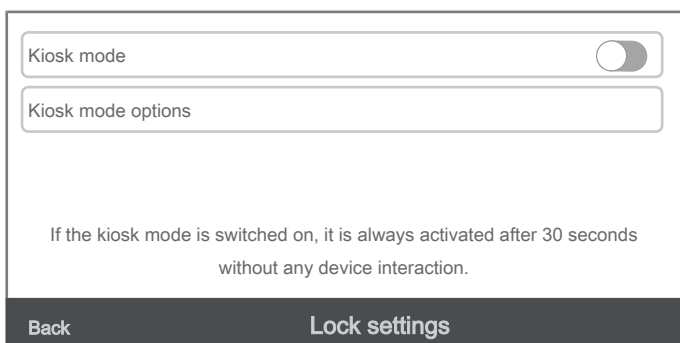
5. Press the *Back* button to confirm the entry.

Activating the locking function

The locking function prevents the buttons on the control panel from being used. The preset PIN of the device is **52525**.

Proceed as follows to set your own PIN:

1. Select the symbol (*More*) in the main view.
 - ⇒ The display changes to the *Menu*.
2. Press the symbol (forward/back).
3. Press the *Lock settings* button.
 - ⇒ The display changes to the *Lock settings* menu.



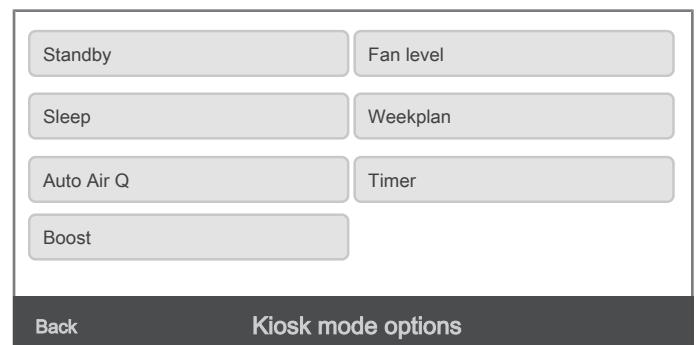
4. Press the *Kiosk mode* button.
 - ⇒ The display changes to the submenu for creating the PIN.

5. Press the *Create PIN* button to create a new PIN or press the *Cancel* button to cancel the entry.
6. On the next screen, enter a 5-digit PIN, then press the *Create* button.
 - ⇒ The screen is activated and the device can no longer be operated.
 - ⇒ In the main view, the symbol appears at the bottom right of the menu bar.

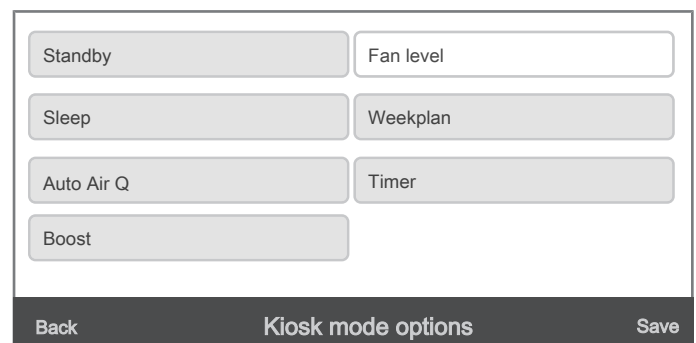
Activate the locking function for certain functions

Please proceed as follows if you want to activate the PIN for certain functions only:

1. Press the *Kiosk mode options* button on the *Lock settings* screen.
 - ⇒ The display for entering the PIN appears.
2. Enter your PIN.
 - ⇒ The display changes to the *Kiosk mode options* menu.




3. Press the *Standby*, *Sleep*, *Auto Air Q*, *Boost*, *Fan Level*, *Weekplan* and/or *Timer* button to activate one or more functions.
 - ⇒ The selected button is highlighted in white.



4. Press the *Save* button to activate the locking function for the selected functions.
 - ⇒ During operation, only the selected functions in the main view can be operated.

Deactivating the locking function

1. Select the  symbol in the main view.
 - ⇒ The display changes to the menu for entering the PIN.
2. Enter your 5-digit PIN, then press the *OK* button.
 - ⇒ The locking function is deactivated and the display can be operated again.



Info

If you forgot your PIN, you can always use the master PIN **52525**.

Memory function




In the *Settings* menu and under *Resume operation after Power outage*, set the device to restart after a power failure.

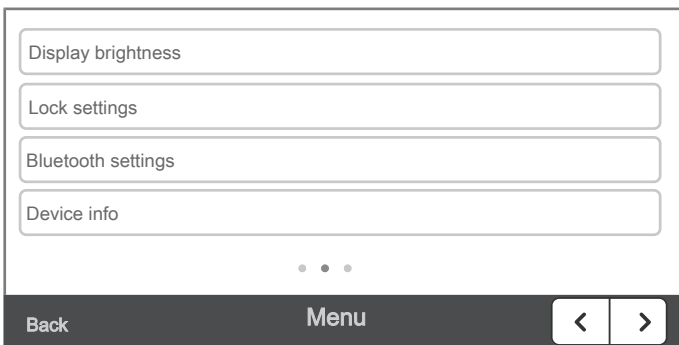
If you switch the device on again from standby mode, the device will start fully automatically in the last set operating mode after a power failure.

In the event of power failures, the device memorizes the settings such as day, time and weekplan.

Connecting the device via Bluetooth

Please proceed as follows to connect the device via Bluetooth:

1. Select the  symbol (*More*) in the main view.
 - ⇒ The display changes to the *Menu*.
2. Press the   symbol (forward/back).



3. Press the *Bluetooth settings* button.
 - ⇒ The display changes to the *Bluetooth* menu.



4. Press the Bluetooth button to activate Bluetooth on the AirgoClean ONE.
5. Activate Bluetooth on your mobile device.
6. Then press the *Pairing* button on the AirgoClean ONE to locate your mobile device.
7. Use your mobile device to search for devices that you can connect via Bluetooth.
8. Select the AirgoClean ONE via your mobile device. The product name is stored as a combination of numbers.
 - ⇒ If the device has been recognised, an identical numerical code appears on your mobile device and on the AirgoClean ONE.
9. Confirm the numerical code manually on your mobile device and via the display of the AirgoClean ONE by pressing *Pairing* or *Pair device*.
10. If the pairing process has been successful, the AirgoClean ONE display will indicate the message *Connection successful*.
 - ⇒ You can now operate the device via the Trotec app.

Trotec Control app

Info


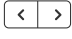
Some of the app's functions require access to your location and an active Internet connection.

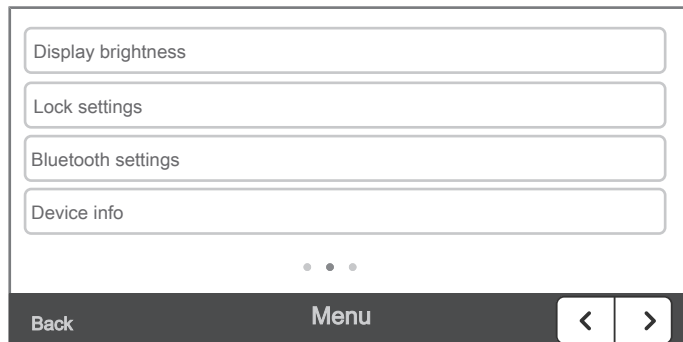
Install the Trotec Control App on the terminal device you want to use in combination with the device.

The app is available for download in the Google Play Store as well as in Apple's app store.

The settings of the timer functions that are operated via the app are not additionally displayed on the control panel of the device.


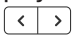
Device Information

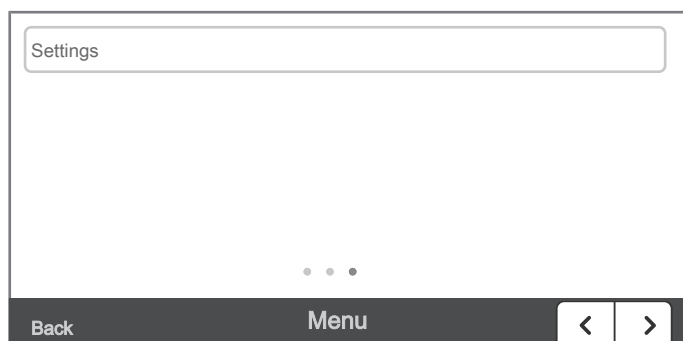
1. Select the  symbol (*More*) in the main view.
 - ⇒ The display changes to the *Menu*.
2. Press the  symbol (forward/back).
 - ⇒ The menu with the *Display brightness*, *Lock settings*, *Bluetooth settings* and *Device information* buttons appears.



3. Press the *Device information* button.
 - ⇒ The *Device info* menu appears.
 - ⇒ The software data and hardware data are displayed.
4. Press the *Reset to factory settings* button.
 - ⇒ The display changes to the Factory settings submenu.
5. Press the *Reset to factory settings* button or *Cancel* if you want to cancel the operation.
 - ⇒ If you have pressed the *Reset to factory settings* button and have defined a PIN, the screen for entering the PIN will appear. In this case, enter your PIN. The device is reset to factory settings.
 - ⇒ You can cancel the process during the deletion process by pressing the *Cancel* button.

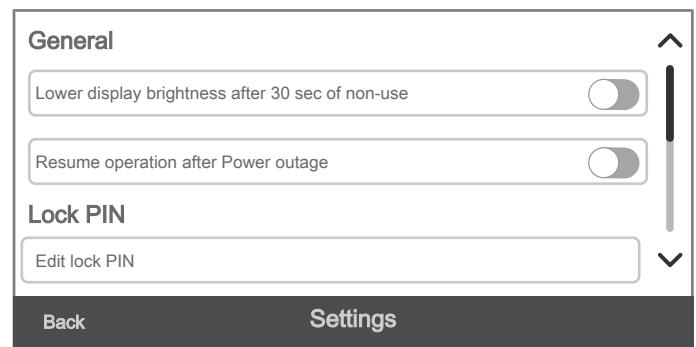
Adjusting the settings

1. Select the  symbol (*More*) in the main view.
 - ⇒ The display changes to the *Menu*.
2. Press the  symbol (forward/back).
 - ⇒ The menu with the *Settings* button appears.



3. Press the *Settings* button in the menu.

⇒ The display changes to the *Settings* menu.



- ⇒ Press the button *Lower display brightness after 30 sec of non-use* to save the setting. The display brightness is lowered after 30 seconds.
- ⇒ Press the *Resume operation after power outage* button to save the setting. The previous settings are saved after a power outage.
- ⇒ Press the *Edit Lock PIN* button to change your PIN (see *Activating and deactivating the lock function*).
- ⇒ If you press the *Switch to last mode after timer* button, the previous mode or operating mode is activated after the timer expires.
- ⇒ If you press the *Switch to last mode after sleep mode* button, the previous mode or the previous operating mode is activated after the sleep mode has expired.
- ⇒ Press the *Switch to last mode after sleep mode* button to adjust the amount of time to activate sleep mode.

Shutdown



Warning of electrical voltage

Do not touch the mains plug with wet or damp hands.

- Switch the device to standby mode by either pressing the *Standby* button at the top left of the main screen or by pressing the *Standby* symbol on the remote control.
- Set the mains switch to position **0** (5).
- Hold onto the mains plug while pulling the power cable out of the mains socket.
- Clean the device according to the Maintenance chapter.
- Store the device according to the Transport and storage chapter.

Errors and faults

The device has been checked for proper functioning several times during production. If malfunctions occur nonetheless, check the device according to the following list.

The device does not start:

- Check the power connection.
- Check the power cable and mains plug for damage.
- Check the on-site fusing.
- Check whether the mains switch (5) is set to position I.
- If the device is not starting, have the electrics checked by a specialist company or by Trotec.

The device is loud or vibrates:

- Check whether the device is set up in a stable and upright position.
- Check the device cover for proper fit.
- Check whether a prefilter is inserted. If so, check if correctly installed.

The device gets very warm, is loud or is losing performance:

- Check the air inlets and air filters for dirt. Remove external dirt.
- The prefilter is soiled. Clean the filter fleece and replace the prefilter if necessary (see chapter Operation and chapter Maintenance).
- The air outlet is obstructed. Make sure that the air outlet is not blocked. Remove any loose objects from the air outlet.
- The packaging material of the filters was not removed during commissioning or after replacement. Remove the filters from the packaging or plastic cover.

The device works with no capacity or the air quality does not improve:

- Check whether any windows and/or doors of the room are open. If so, close them.
- The HEPA filter is not installed. Install the HEPA filter.
- Check the minimum distance to walls or other objects. Position the device a little more in the room's centre if required.

The measured values for VOC and particles are not displayed:

- The sensor technology requires a while until values can be determined.
- If the measured values are not displayed for more than 5 minutes when the device is switched on, please contact the customer service.

The device displays the warning "Check prefilter":

- Clean the filter fleece as described in the Maintenance chapter.
- If the warning does not disappear, set the AirgoClean One to fan level zero and wait for 3 minutes. During this time, the filter monitoring sensors are calibrated.
- If the warning still does not disappear, replace the prefilter as described in the Maintenance chapter. Then reset the lifetime of the prefilter as described in the chapter Operation in the Filter menu section.

The settings are not accepted after they have been entered in the display:

- All inputs must be activated by pressing the *Save* or *Back* button. When using the *Back* button, the settings are only saved if the *Save* button is not available.
- The display will be dimmed if it is not actuated for a certain time. This function can be deactivated in the *Settings* menu. When you touch the display again, the last selected display is indicated. Settings that have been made but not confirmed with *Save* or *Back* are not saved.

The device does not respond to inputs made on the display or by means of the remote control:

- Switch the device off by setting the mains switch (5) to position 0.
- Wait for 5 seconds and switch the device on again by setting the mains switch (5) to position I.

The device still does not operate correctly after these checks:

Please contact the customer service. If necessary, bring the device to an authorised specialist electrical company or to Trotec for repair.

The device cannot be connected to the Trotec Control app

- Check whether you have installed the correct Trotec app and install the correct app, if necessary.
- Check whether you have connected to your mobile device and the AirgoClean ONE via Bluetooth. Otherwise please proceed as described in the "Operation" chapter.

Maintenance

Note

All service activities other than those specified in the maintenance table may only be performed by a specialist company authorized by Trotec.

Maintenance intervals

Maintenance and care interval	before every start-up	as needed	at least every 2 weeks	at least every 4 weeks	at least annually	at least every 2 years
Check air inlets and outlets for dirt and foreign objects and clean if necessary	X			X		
Clean the exterior		X			X	
Visually check the inside of the device for dirt		X			X	
Replace the HEPA filter						X
Replace prefilter					X	
Check prefilter fleece and clean or replace if necessary				X		
Check for damage	X					
Test run					X	

Maintenance and care log

Device type:

Device number:

Maintenance and care interval	1	2	3	4	5	6	7	8	9	10	11	12	13	14	15	16
Check air inlets and outlets for dirt and foreign objects and clean if necessary																
Clean the exterior																
Visually check the inside of the device for dirt																
Replace the HEPA filter																
Replace prefilter																
Check prefilter fleece and clean or replace if necessary																
Check for damage																
Test run																

1. Date: Signature:	2. Date: Signature:	3. Date: Signature:	4. Date: Signature:
5. Date: Signature:	6. Date: Signature:	7. Date: Signature:	8. Date: Signature:
9. Date: Signature:	10. Date: Signature:	11. Date: Signature:	12. Date: Signature:
13. Date: Signature:	14. Date: Signature:	15. Date: Signature:	16. Date: Signature:

Activities required before starting maintenance



Warning of electrical voltage

Do not touch the mains plug with wet or damp hands.

- Switch the device off.
- Hold onto the mains plug while pulling the power cable out of the mains socket.



Warning of electrical voltage

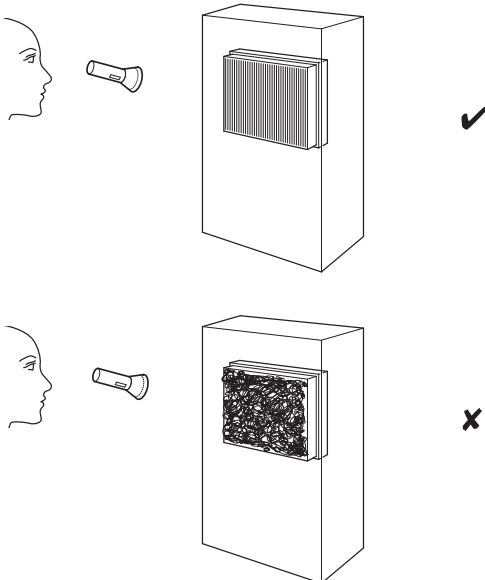
Tasks which require the device to be opened must only be carried out by authorised specialist companies or by Trotec.

Cleaning the housing

Clean the housing with a soft, damp and lint-free cloth. Make sure that no moisture enters the housing. Protect electrical components from moisture. Do not use any aggressive cleaning agents such as cleaning sprays, solvents, alcohol-based or abrasive cleaners to dampen the cloth.

Visual inspection of the inside of the device for dirt

1. Remove the air filter.
2. Use a torch to illuminate the openings of the device.
3. Check the inside of the device for dirt.
4. If you see a thick layer of dust, clean the inside of the device with a vacuum cleaner.
5. Put the air filter back in.



Replacing the HEPA filter

Note

The HEPA filter cannot be cleaned and must be replaced if necessary.

Note

The lifetime of the HEPA filter is a maximum of 2 years. Please note that the lifetime also keeps running when the device is switched off. The lifetime of the HEPA filter depends on the ambient conditions and the application period of the device.

Note

The HEPA filter, the silencer and, if necessary, the activated carbon filter can be positioned in any order in the device.

Note

Remove any packing material before inserting the exchange filters.



Info

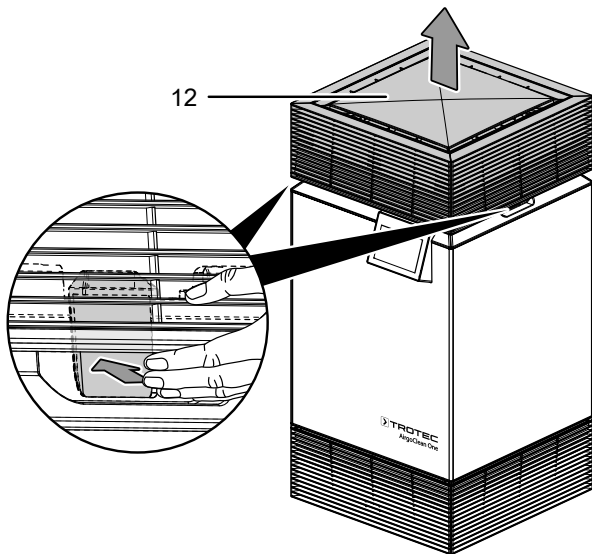
The condition of the filters is monitored for all three filter compartments. The condition monitoring does not simply work hypothetically, based on time for instance, but it records the actual filter status based on the fan stage, the particle load in the room air, the humidity and the VOC content (with inserted activated carbon filter). The intelligent filter lifetime monitor informs you precisely when a filter change is necessary.

- The HEPA filter has to be replaced as soon as it is dirty. This is brought to light e.g. by a reduced capacity (see chapter Errors and faults). To do so, check the lifetime of the filter as described in the chapter Operation.
- Make sure that the HEPA filter, the silencer and the prefilter are installed before switching the device on.
- Without the HEPA filter and the prefilter, the device cannot fulfil its air cleaner function, and the inside of the device will be soiled.
- An activated carbon filter can also be used as an alternative to the silencer.

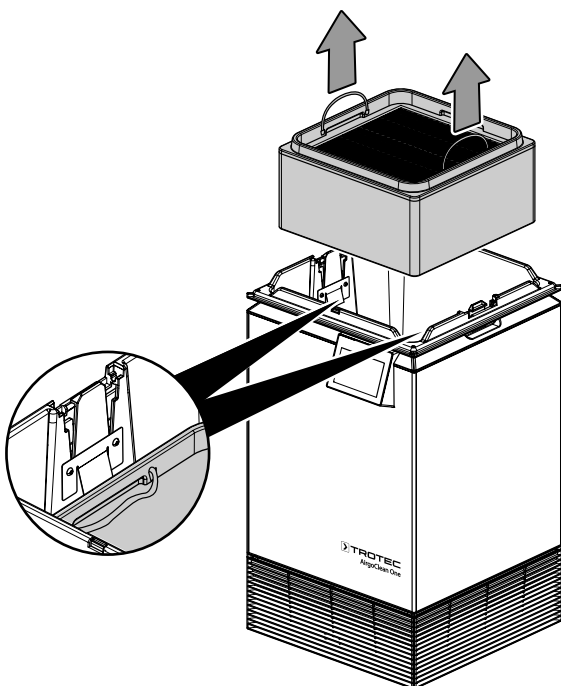
If required, visually inspect the HEPA filter, the silencer and the prefilter for dirt.

Proceed as follows to replace the HEPA filter:

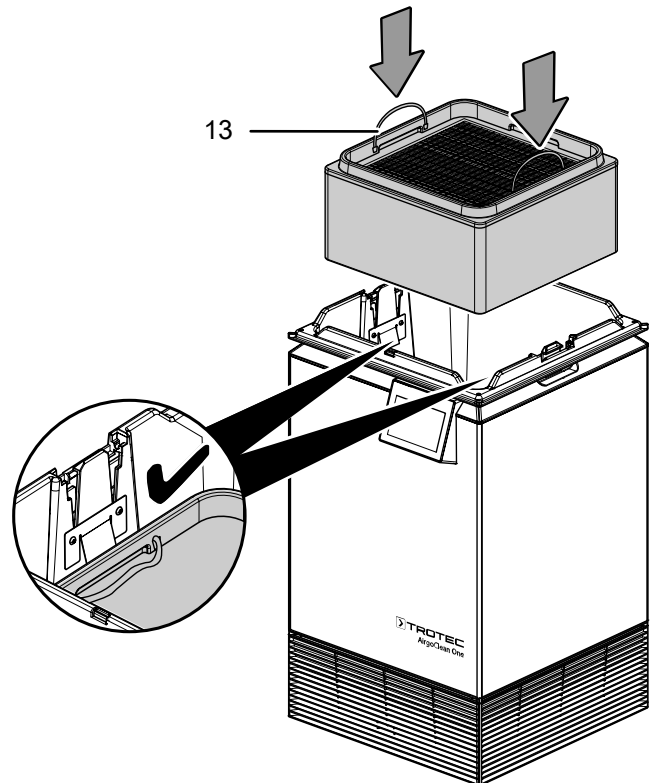
1. Press the buttons of the handle strip (2).
⇒ The top section comes off.
2. Remove the top section (12).



3. Depending on the order, remove the silencer first, then remove the HEPA filter from the device.
⇒ The standard configuration is recommended for the order (see chapter Information about the device).
⇒ Please note that the lower component is fixed to the side with clips.
⇒ Push in the clips for removal, then remove the lower component. The loops on the filter or silencer help you removing.



4. Dispose of the HEPA filter according to the national regulations.
5. Take the new HEPA filter out of the plastic cover.
6. Insert the new HEPA filter into the device. Observe the direction of the arrow and make sure that the loops (13) are not blocking the sealing surface.
7. If necessary, also replace the silencer if it is damaged or heavily contaminated.



8. Place the upper section (12) on the device and press it down until it clicks into place. Check the connection. It should no longer be possible to take off the top section.
9. Then proceed as described in the *Filter menu* section in the chapter Operation.

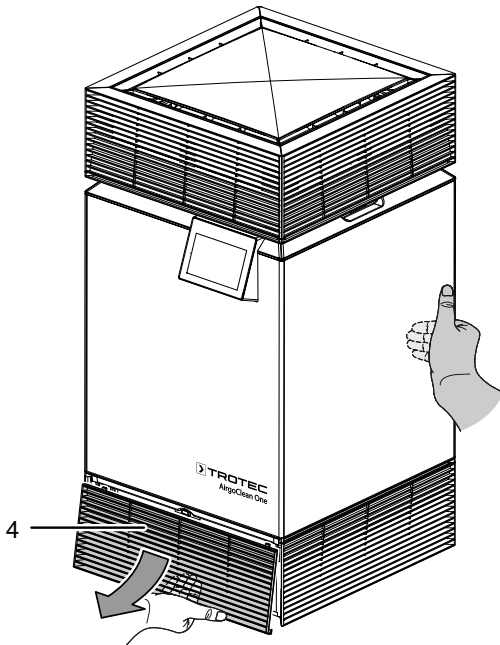
Replacing the prefilter

Note

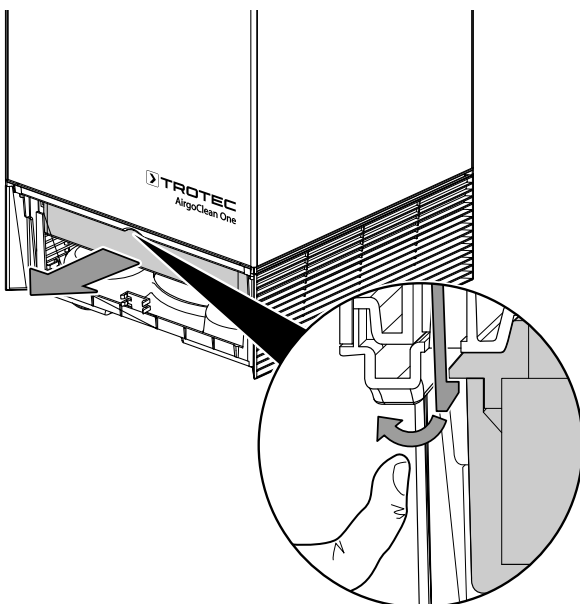
The lifetime of the prefilter is a maximum of 1 year. Please note that the lifetime also keeps running when the device is switched off. The lifetime of the prefilter depends on the ambient conditions and the application period of the device.

Please proceed as follows to replace the prefilter:

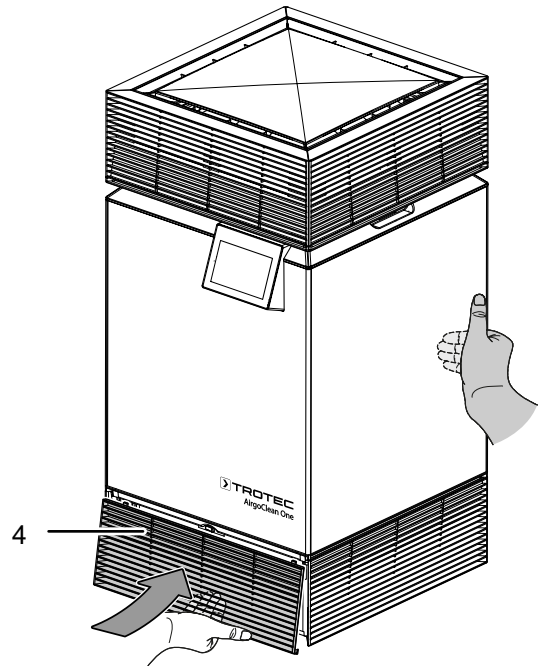
1. Hold the device at its rear side. Reach underneath the air inlet with cover (4) and remove the cover from below.



2. Release the prefilter (9) by pulling the hook backwards. The prefilter now drops down a little.



3. The filter fleece is attached to the prefilter (9) with a Velcro fastener. Pull the filter fleece off from the prefilter and clean the prefilter and filter fleece (9) with a lint-free cloth or carefully tap out the fleece.
4. Stick the fleece back onto the prefilter and push the prefilter and filter fleece (9) back into the device.
5. Push the filter upwards until the holder clicks into place.
6. Hold the device at its rear side. Put the air inlet with cover (4) back on the device.



7. Once you have replaced the prefilter, proceed as described in the *Filter menu* section in the chapter Operation.

Disposal

Always dispose of packing materials in an environmentally friendly manner and in accordance with the applicable local disposal regulations.



The icon with the crossed-out waste bin on waste electrical or electronic equipment is taken from Directive 2012/19/EU. It states that this device must not be disposed of with the household waste at the end of its life. You will find collection points for free return of waste electrical and electronic equipment in your vicinity. The addresses can be obtained from your municipality or local administration. You can also find out about other return options that apply for many EU countries on the website <https://hub.trotec.com/?id=45090>. Otherwise, please contact an official recycling centre for electronic and electrical equipment authorised for your country. The separate collection of waste electrical and electronic equipment aims to enable the re-use, recycling and other forms of recovery of waste equipment as well as to prevent negative effects for the environment and human health caused by the disposal of hazardous substances potentially contained in the equipment.



In the European Union, batteries and accumulators must not be treated as domestic waste, but must be disposed of professionally in accordance with Directive 2006/66/EC of the European Parliament and of the Council of 6 September 2006 on batteries and accumulators. Please dispose of batteries and accumulators according to the relevant legal requirements.

Only for United Kingdom

According to Waste Electrical and Electronic Equipment Regulations 2013 (SI 2013/3113) (as amended) and the Waste Batteries and Accumulators Regulations 2009 (SI 2009/890) (as amended), devices that are no longer usable must be collected separately and disposed of in an environmentally friendly manner.

Technical annex

Technical data

Parameter	Value		
Model	AirgoClean® One		
	H13 filter	H14 filter	Power consumption
Air flow rate with HEPA carbon filter			
Fan level 1	45 m ³ /h	35 m ³ /h	6 W
Fan level 2	150 m ³ /h	115 m ³ /h	12 W
Fan level 3	285 m ³ /h	230 m ³ /h	28 W
Fan level 4	420 m ³ /h	355 m ³ /h	60 W
Fan level 5	550 m ³ /h	475 m ³ /h	106 W
Fan level 6 = boost	650 m ³ /h	600 m ³ /h	170 W
Ambient temperature	-10 °C to 60 °C		
Operating range	0 % to 90 % RH		
Mains connection (adapter)	230V~ 50-60 Hz		
Sound pressure level	11–57 dB(A)		
Nominal current	0.74 A		
Dimensions (length x width x height)	435 x 400 x 835 mm		
Minimum distance to walls and other objects	A: top 5 cm B: rear 5 cm C: side 5 cm D: front 5 cm		
Weight	16.9 kg		

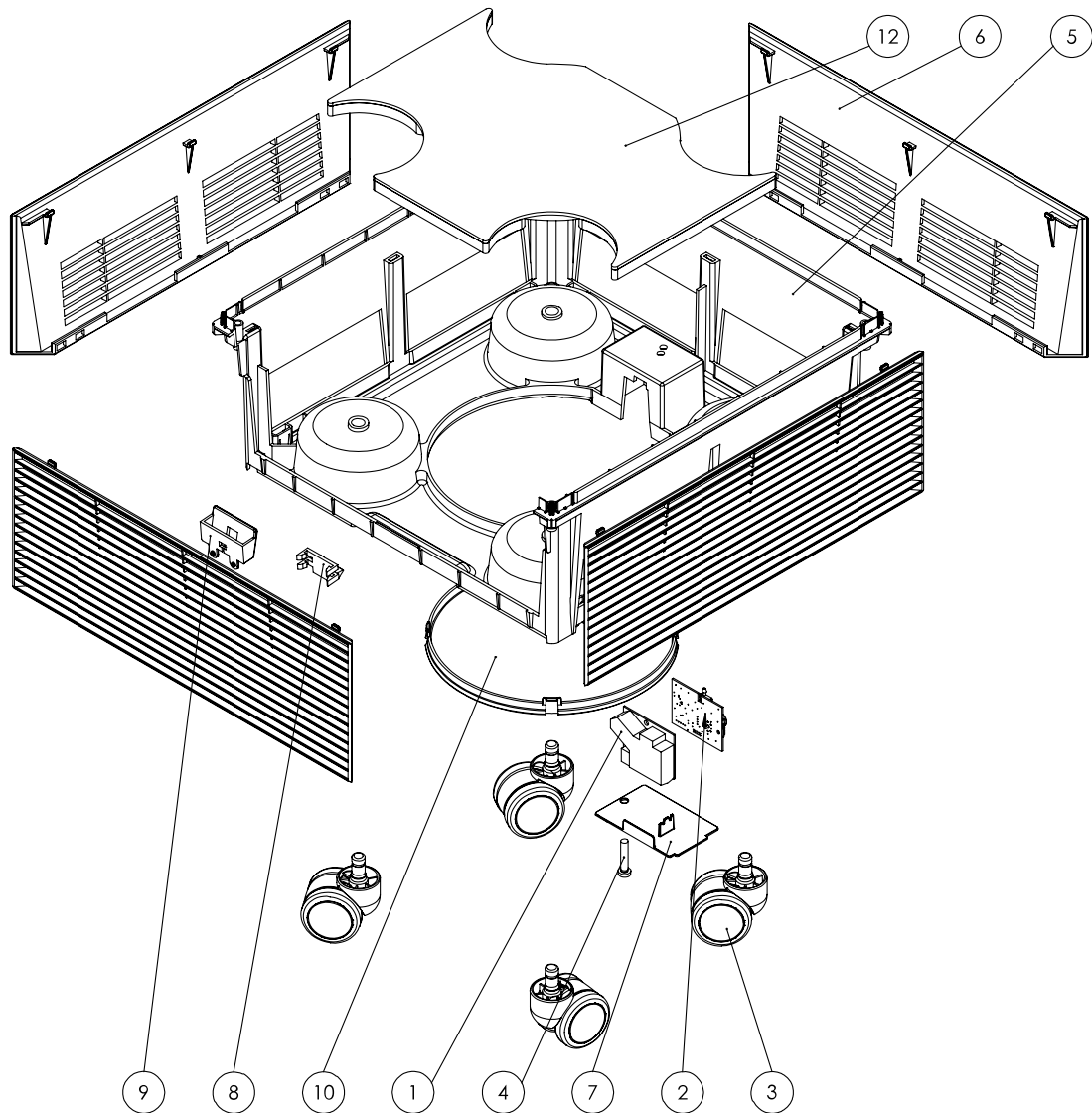
Spare parts drawing and list

Bottom



Info

The position numbers of the spare parts differ from those describing the positions of the components mentioned in these instructions.



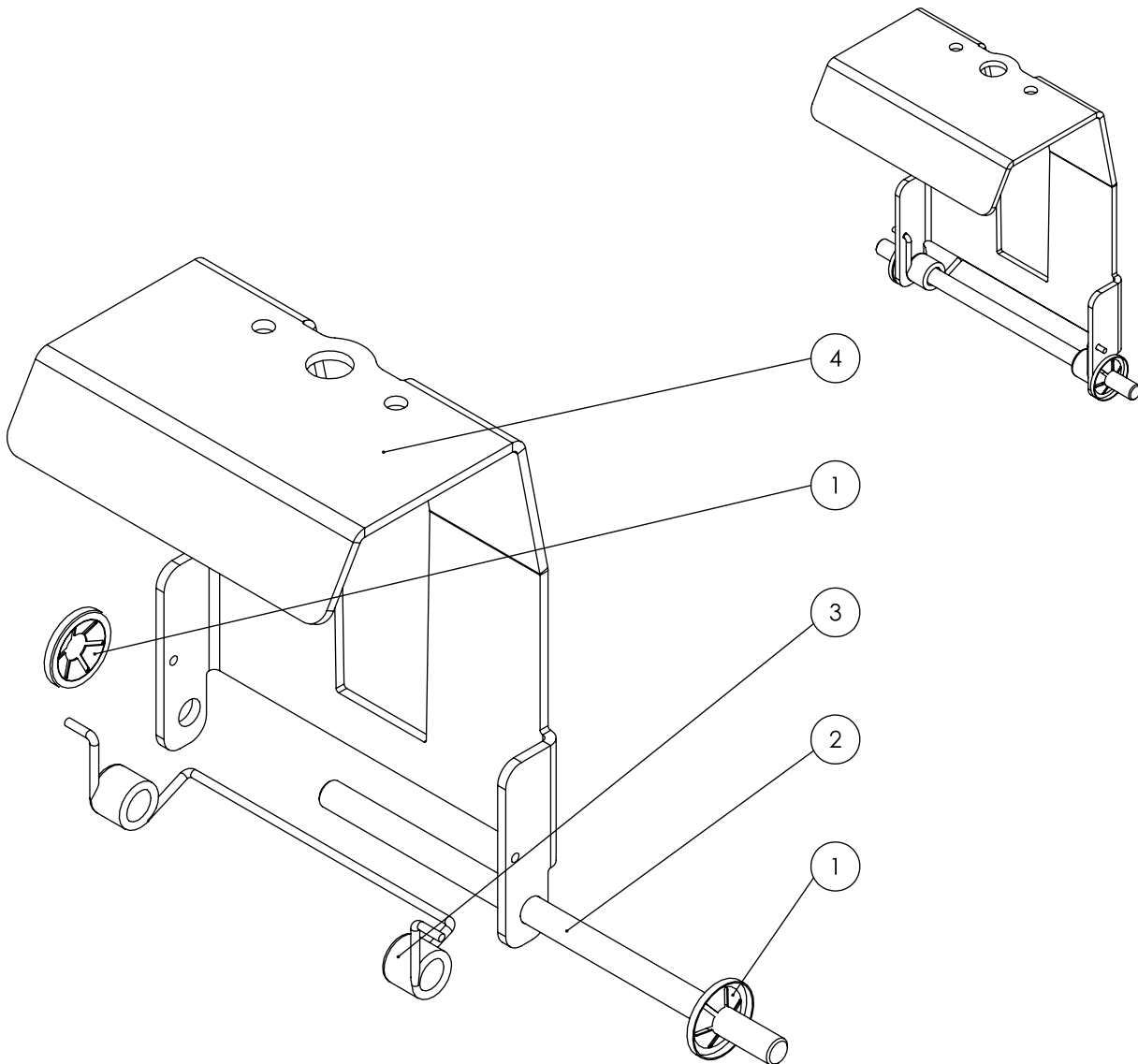
No.	Spare part	No.	Spare part
1	Board (particle sensor)	7	Cover for sensor housing
2	Board (sensor)	8	Lock for prefilter
3	Wheel	9	Positioning piece for prefilter
4	Screw	10	Bottom insert
5	Bottom frame	12	Base insulation
6	Ventilation panel		

Cover lock



Info

The position numbers of the spare parts differ from those describing the positions of the components mentioned in these instructions.



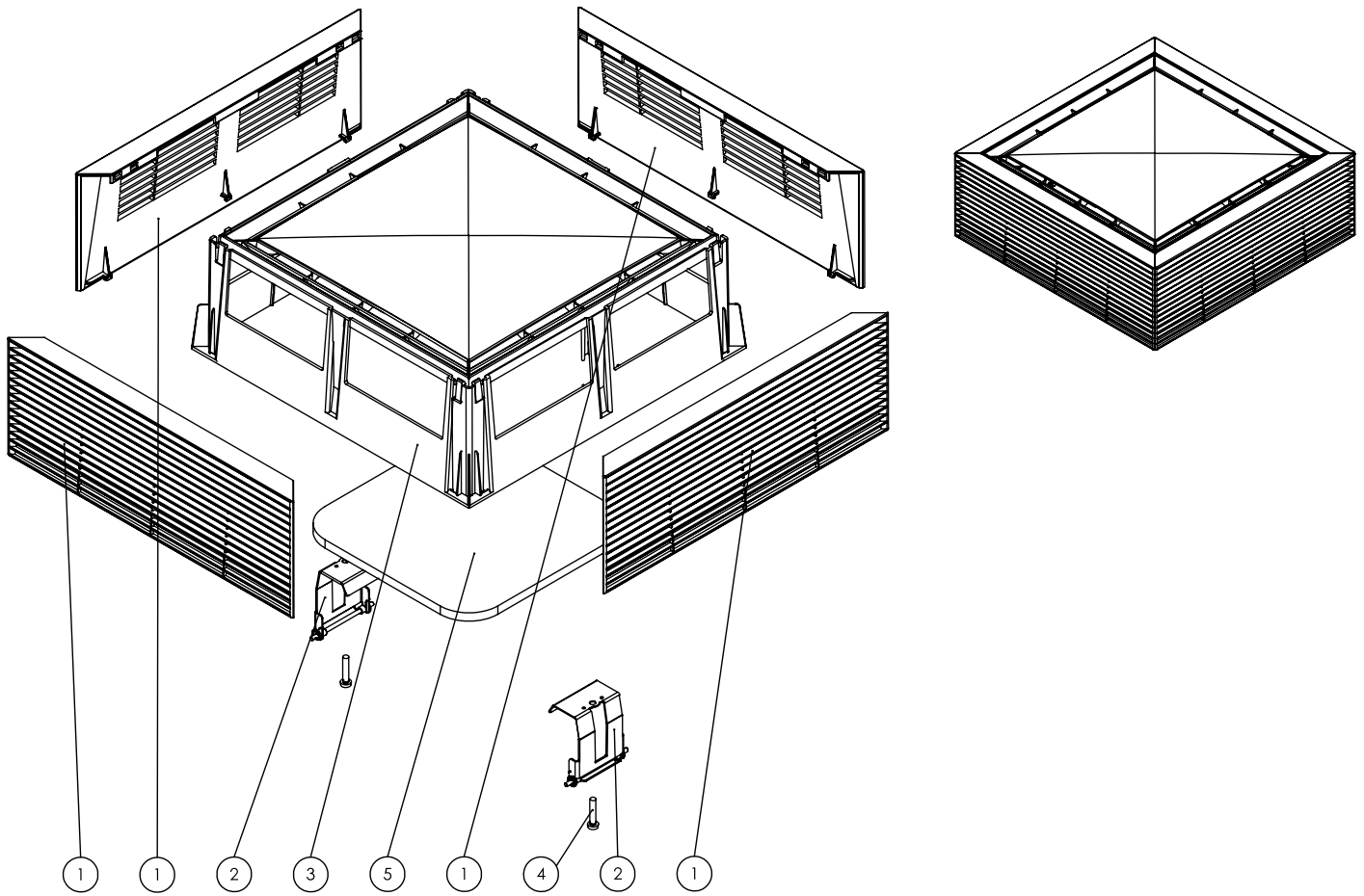
No.	Spare part	No.	Spare part
1	Washer	3	Torsion spring
2	Axle	4	Hold-down device

Cover



Info

The position numbers of the spare parts differ from those describing the positions of the components mentioned in these instructions.



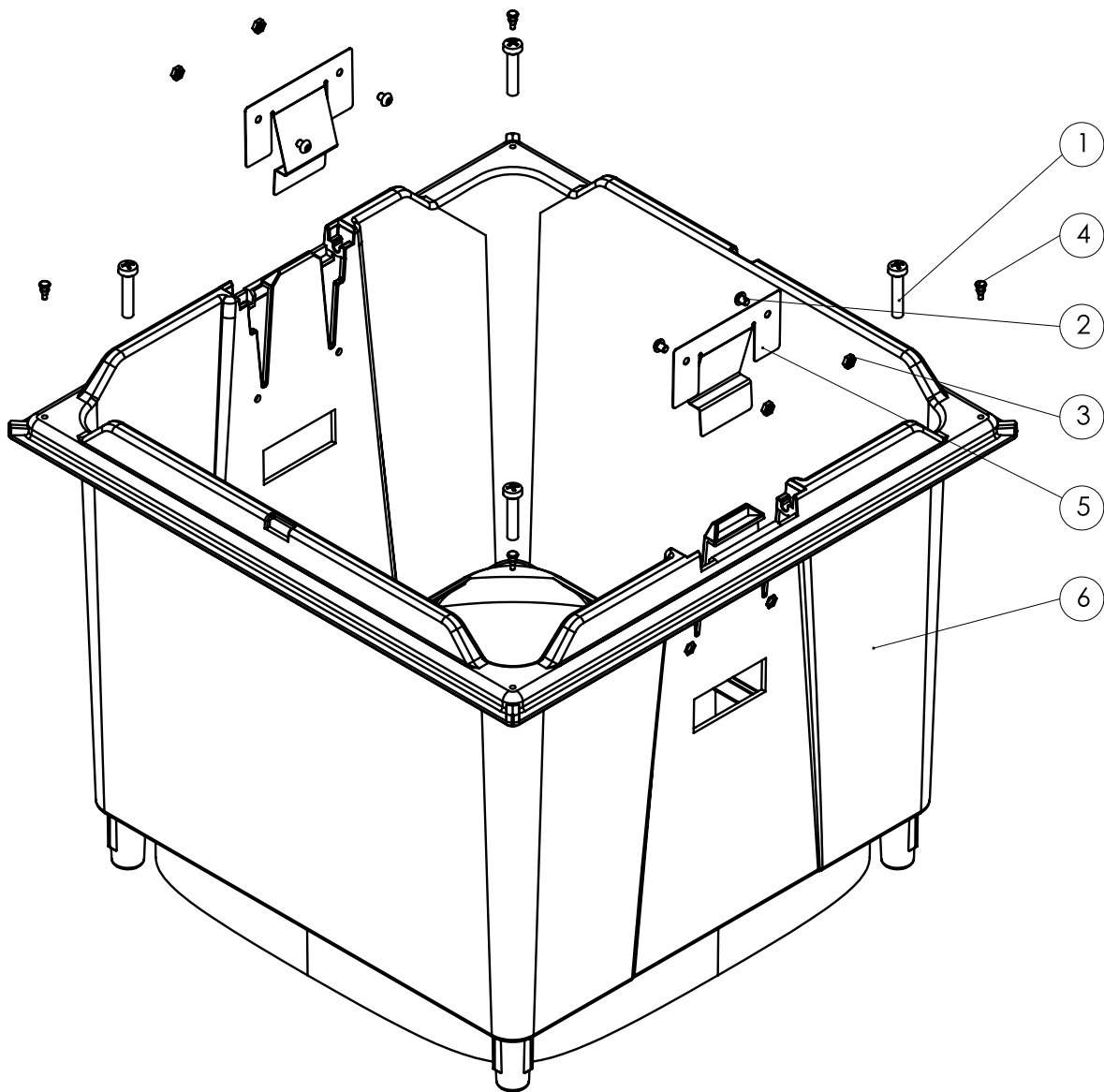
No.	Spare part	No.	Spare part
1	Ventilation panel	4	Screw
2	Cover lock	5	Cover insulation
3	Cover		

Filter housing



Info

The position numbers of the spare parts differ from those describing the positions of the components mentioned in these instructions.



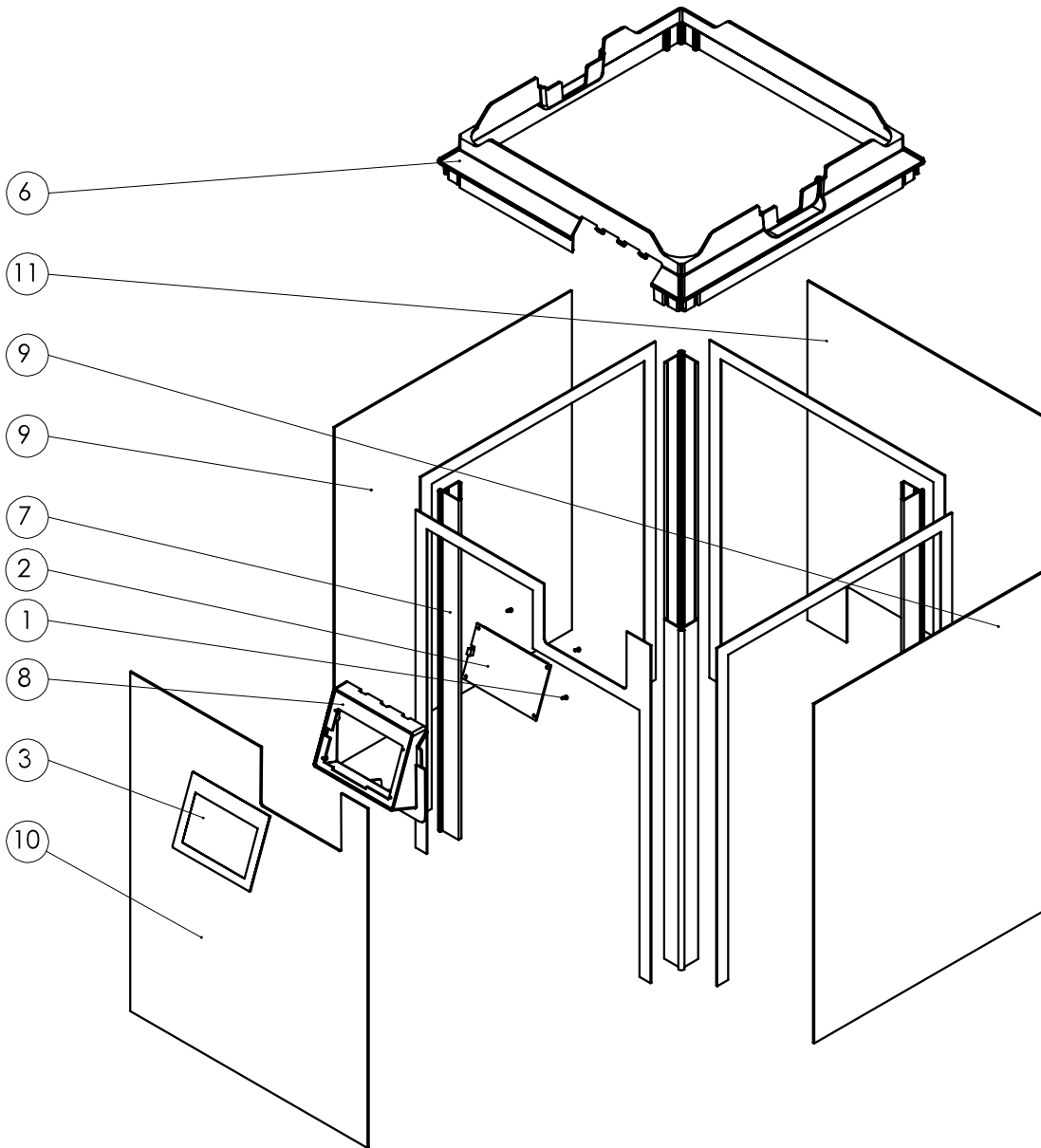
No.	Spare part	No.	Spare part
1	Screw	4	Rubber buffer
2	Screw	5	Metal clamp for filter
3	Nut	6	Filter case

Housing



Info

The position numbers of the spare parts differ from those describing the positions of the components mentioned in these instructions.



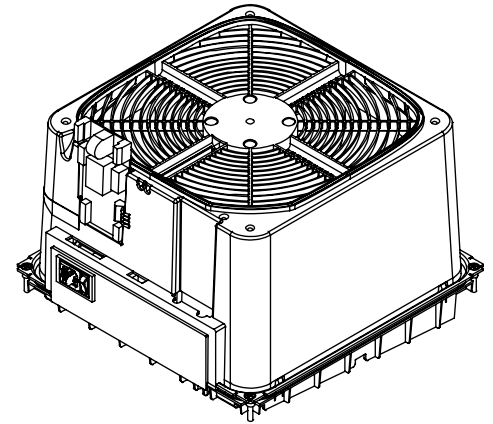
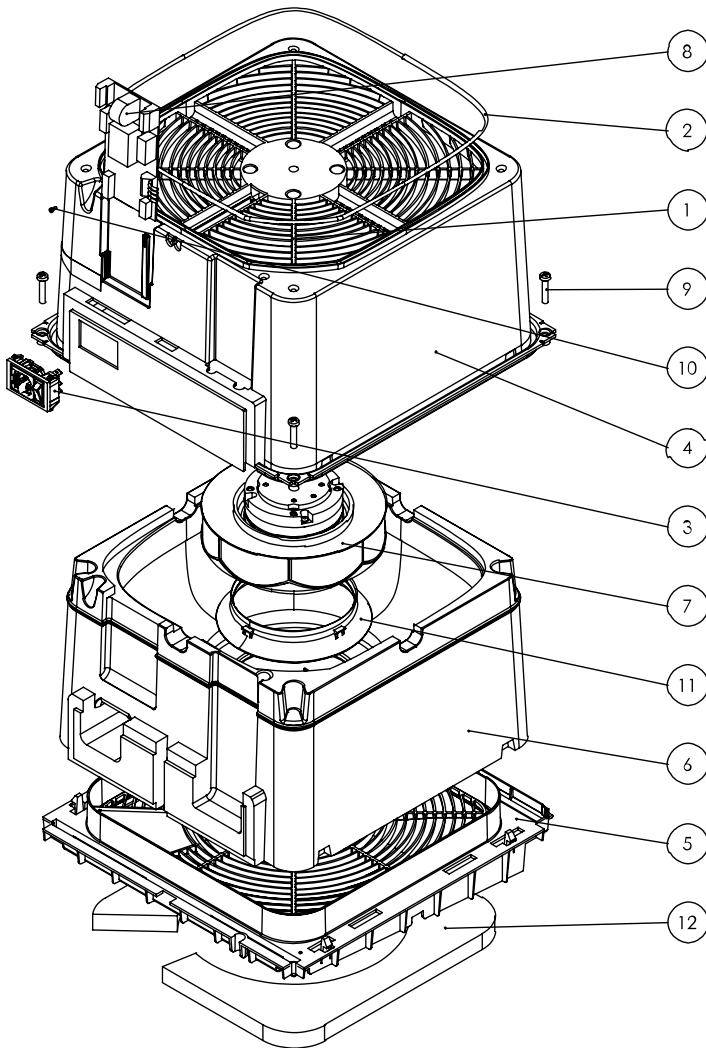
No.	Spare part	No.	Spare part
1	Screw	8	Display frame
2	Board (control)	9	Design panel A
3	Display	10	Design panel B
6	Design frame	11	Design panel C
7	Corner profile		

Fan



Info

The position numbers of the spare parts differ from those describing the positions of the components mentioned in these instructions.



No.	Spare part	No.	Spare part
1	Screw	7	Fan (230 V or 110 V)
2	Sealing cord	8	Board (distributor)
3	Mains supply with fusing (230 V or 110 V)	9	Screw
4	Fan casing	10	Screw
5	Fan housing cover	11	Inlet nozzle
6	Fan housing (expanded polypropylene)	12	Valve insulation

Declaration of conformity

We – Trotec GmbH – declare in sole responsibility that the product designated below was developed, constructed and produced in compliance with the requirements of the EU Radio Equipment Directive in the version 2014/53/EU.

Product model / Product: AirgoClean® One

Product type: air cleaner

Year of manufacture as of: 2022

Relevant EU directives:

- 2011/65/EU
- 2012/19/EU

Applied harmonised standards:

- EN 300 328 V2.2.2
- EN 60204-1:2018
- EN 60335-1:2012
- EN 60335-1:2012/A11:2014
- EN 60335-1:2012/A13:2017
- EN 60335-1:2012/A2:2019
- EN 60335-1:2012/A1:2019
- EN 60335-1:2012/A14:2019
- EN 60335-2-65:2003
- EN 60335-2-65:2003/A1:2008
- EN 60335-2-65:2003/A11:2012
- EN 61000-3-2:2014
- EN 61000-3-3:2013

Applied national standards and technical specifications:

- EN IEC 55014-1:2021
- EN IEC 55014-2:2021

Manufacturer and name of the authorised representative of the technical documentation:

Trotec GmbH

Grebbener Straße 7, D-52525 Heinsberg

Phone: +49 2452 962-400

E-mail: info@trotec.de

Place and date of issue:

Heinsberg, 01.09.2022



Joachim Ludwig, Managing Director

Trotec GmbH

Grebener Str. 7
D-52525 Heinsberg

☎ +49 2452 962-400

☎ +49 2452 962-200

✉ info@trotec.com

www.trotec.com